

Mains Connection

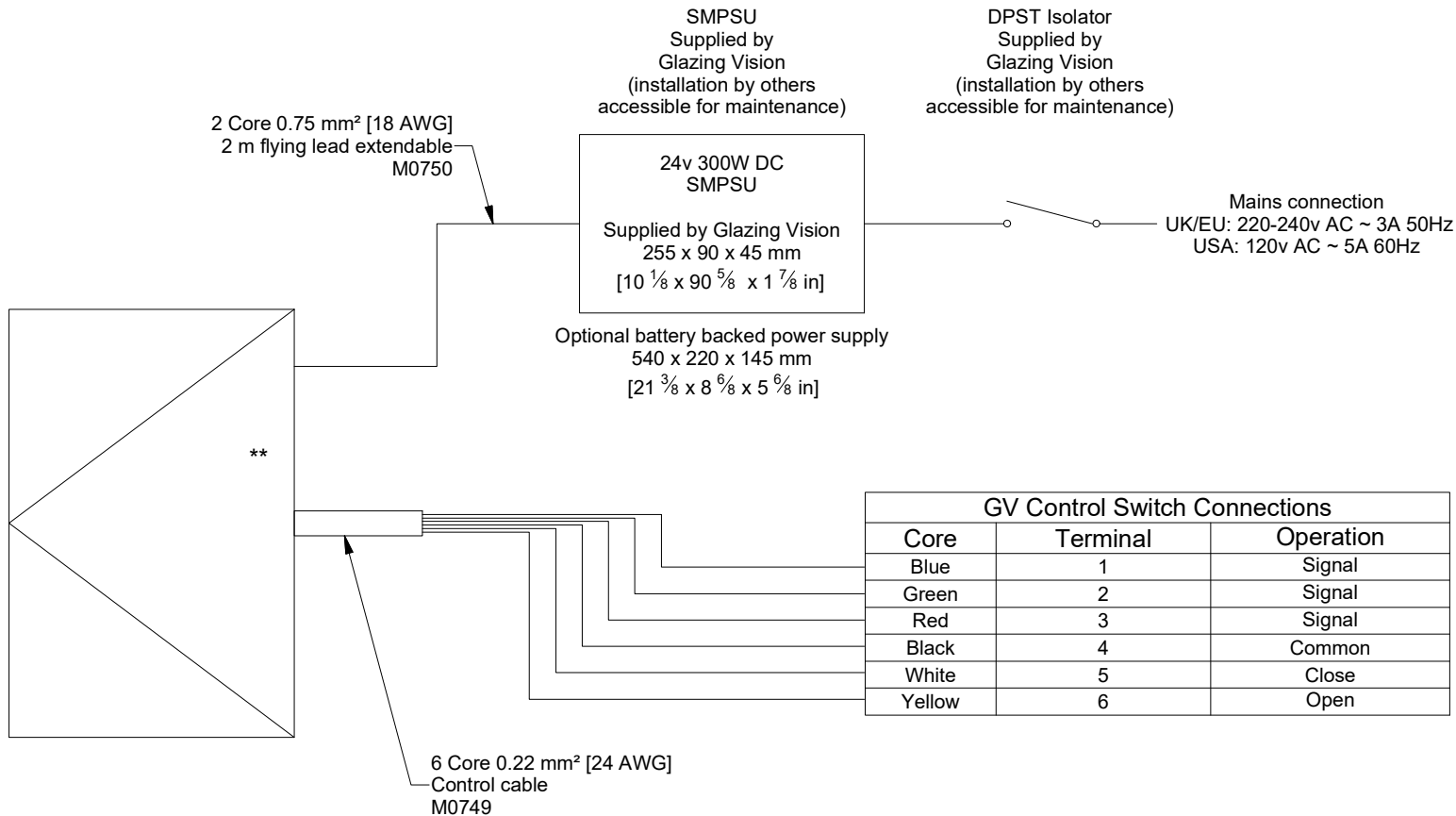
This is a fixed installation. All connections should be carried out by a competent person.

A mains supply must be available on site when the unit is installed otherwise it may not be possible to fully commission the product. Additional visits may incur additional charges.

The control switch must be installed for maintenance reasons.

All cables supplied at 2 m [78 in], extendable to 10 m [393 in] with appropriate cable.

All optional items must be specified at time of order.



**Cables exit from the underside of the product. Refer to drawing 700-ASS-015 for detailed exit position.

GLASS CONFORMS TO IMPACT RESISTANCE AND BREAKAGE CHARACTERISTICS OF BS EN 12600:2002. IGUs FABRICATED TO BS EN 1279 AND SUPPLIED IN ACCORDANCE WITH BS 5516-2:2004.

FINISH SPECIFICATION:

POLYESTER POWDER COATED: MIN 40 MICRONS
 STANDARD EXTERNAL COLOUR: **RAL 7015 Slate Grey**
 STANDARD INTERNAL COLOUR: **RAL 9010 Pure White**

FIXING SPECIFICATION: A2 STAINLESS STEEL

SEALANTS SPECIFICATION: NEUTRAL CURE TO BS5889

ALL DIMENSIONS mm [in] UNLESS OTHERWISE STATED.



UK Office

Sawmills Road
 Diss
 Norfolk
 IP22 4RG
 Tel: +44 (0)1379 658300
 Email: sales@glazingvision.co.uk
 Website: www.glazingvision.co.uk

USA Office

201 Locust Street
 Hartford
 Connecticut
 06114
 Tel: +1 860 206 8111
 Email: sales@glazingvision.com
 Website: www.glazingvision.com

IT IS GLAZING VISION'S POLICY TO CONTINUOUSLY DEVELOP AND IMPROVE OUR PRODUCTS. WE THEREFORE RESERVE THE RIGHT TO MODIFY OR CHANGE THE DETAIL DESIGN AT OUR DISCRETION AND WITHOUT PRIOR NOTICE.

THIS DRAWING IS COPYRIGHT AND THE SOLE PROPERTY OF GLAZING VISION LTD. THE DESIGNS / INFORMATION IT CONTAINS ARE PRIVATE AND CONFIDENTIAL. IT MUST NOT BE COPIED, EXHIBITED OR COMMUNICATED TO THIRD PARTIES FOR ANY PURPOSE OTHER THAN THAT FOR WHICH IT WAS ISSUED WITHOUT THE WRITTEN PERMISSION OF GLAZING VISION LTD.

REV.	REVISION DESCRIPTION	NAME/DATE
-	Initial release	HL 17.07.19
A	Keypad wiring diagram added	HL 30.10.19

CHECKED MJM 30.10.19 SCALE NTS

PRODUCT GV Standard Free Standing Skybox

DESCRIPTION
 Client Wiring Diagrams

DRAWING NUMBER 700-ASS-016 SHEET 1 of 6

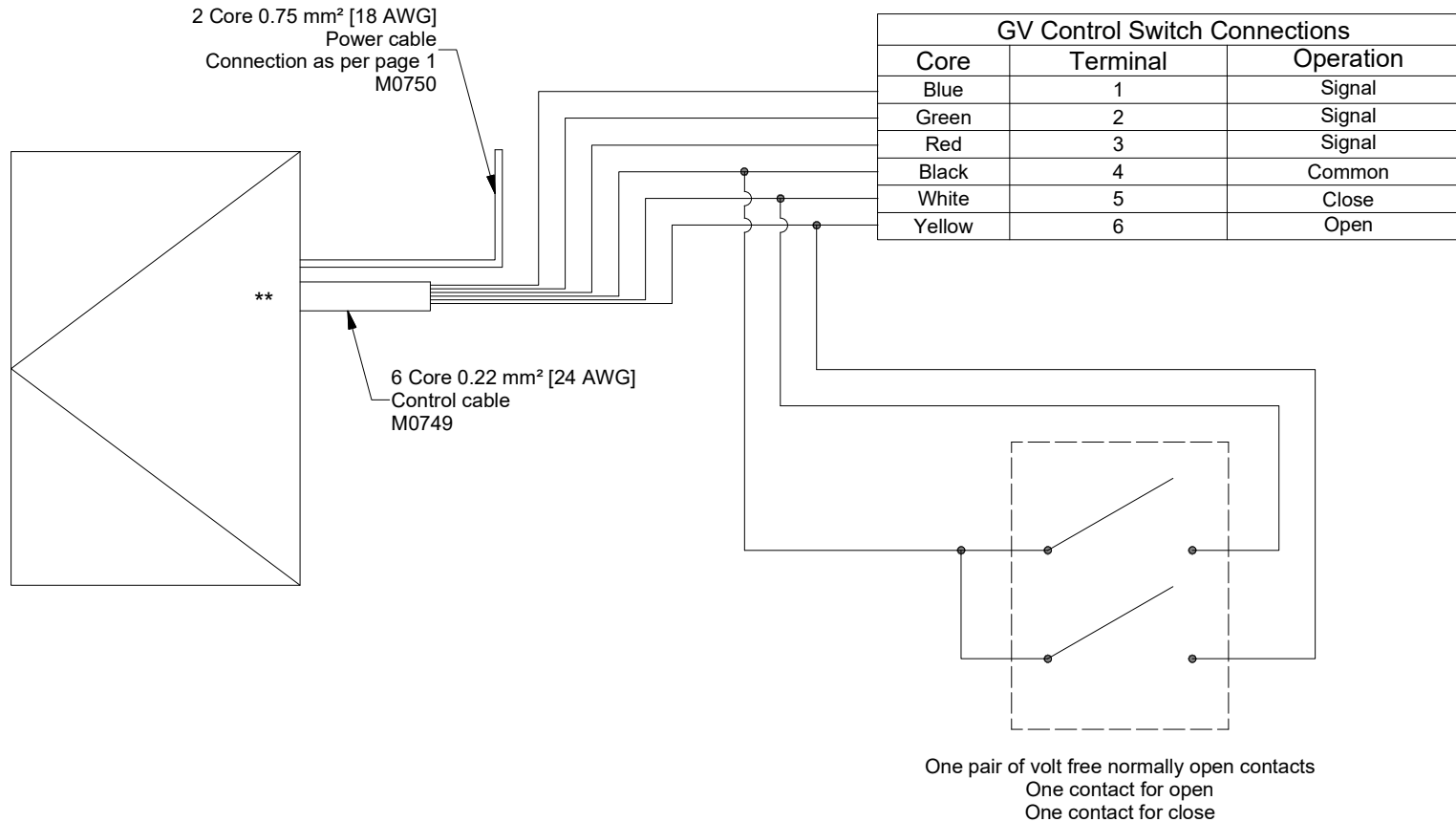
Secondary Control Switch or BMS Connection

This is a fixed installation. All connections should be carried out by a competent person.

The control switch must be installed for maintenance reasons.

All cables supplied at 2 m [78 in], extendable to 10 m [393 in] with appropriate cable.

All optional items must be specified at time of order.



One touch/Press and hold

Caution: Using latched contacts may render the product inoperable. To initiate a control cycle e.g. to open, close or stop the rooflight, switch the contact briefly (approx. 500 ms) to create one touch command.

Please call Glazing Vision if you need assistance.

**Cables exit from the underside of the product. Refer to drawing 700-ASS-015 for detailed exit position.

GLASS CONFORMS TO IMPACT RESISTANCE AND BREAKAGE CHARACTERISTICS OF BS EN 12600:2002. IGUs FABRICATED TO BS EN 1279 AND SUPPLIED IN ACCORDANCE WITH BS 5516-2:2004.

FINISH SPECIFICATION:

POLYESTER POWDER COATED: MIN 40 MICRONS
STANDARD EXTERNAL COLOUR: **RAL 7015 Slate Grey**
STANDARD INTERNAL COLOUR: **RAL 9010 Pure White**

FIXING SPECIFICATION: **A2 STAINLESS STEEL**

SEALANTS SPECIFICATION: **NEUTRAL CURE TO BS5889**

ALL DIMENSIONS mm [in] UNLESS OTHERWISE STATED.

GLAZING VISION

UK Office

Sawmills Road
Diss Norfolk IP22 4RG
Tel: +44 (0)1379 658300
Email: sales@glazingvision.co.uk
Website: www.glazingvision.co.uk

USA Office

201 Locust Street
Hartford Connecticut 06114
Tel: +1 860 206 8111
Email: sales@glazingvision.com
Website: www.glazingvision.com

IT IS GLAZING VISION'S POLICY TO CONTINUOUSLY DEVELOP AND IMPROVE OUR PRODUCTS. WE THEREFORE RESERVE THE RIGHT TO MODIFY OR CHANGE THE DETAIL DESIGN AT OUR DISCRETION AND WITHOUT PRIOR NOTICE.

THIS DRAWING IS COPYRIGHT AND THE SOLE PROPERTY OF GLAZING VISION LTD. THE DESIGNS / INFORMATION IT CONTAINS ARE PRIVATE AND CONFIDENTIAL. IT MUST NOT BE COPIED, EXHIBITED OR COMMUNICATED TO THIRD PARTIES FOR ANY PURPOSE OTHER THAN THAT FOR WHICH IT WAS ISSUED WITHOUT THE WRITTEN PERMISSION OF GLAZING VISION LTD.

REV.	REVISION DESCRIPTION	NAME/DATE
-	Initial release	HL 17.07.19
A	Keypad wiring diagram added	HL 30.10.19

CHECKED MJM 30.10.19 SCALE NTS

PRODUCT GV Standard Free Standing Skybox

DESCRIPTION
Client Wiring Diagrams

DRAWING NUMBER 700-ASS-016 SHEET 2 of 6

Fire System Connection

This is a fixed installation. All connections should be carried out by a competent person.

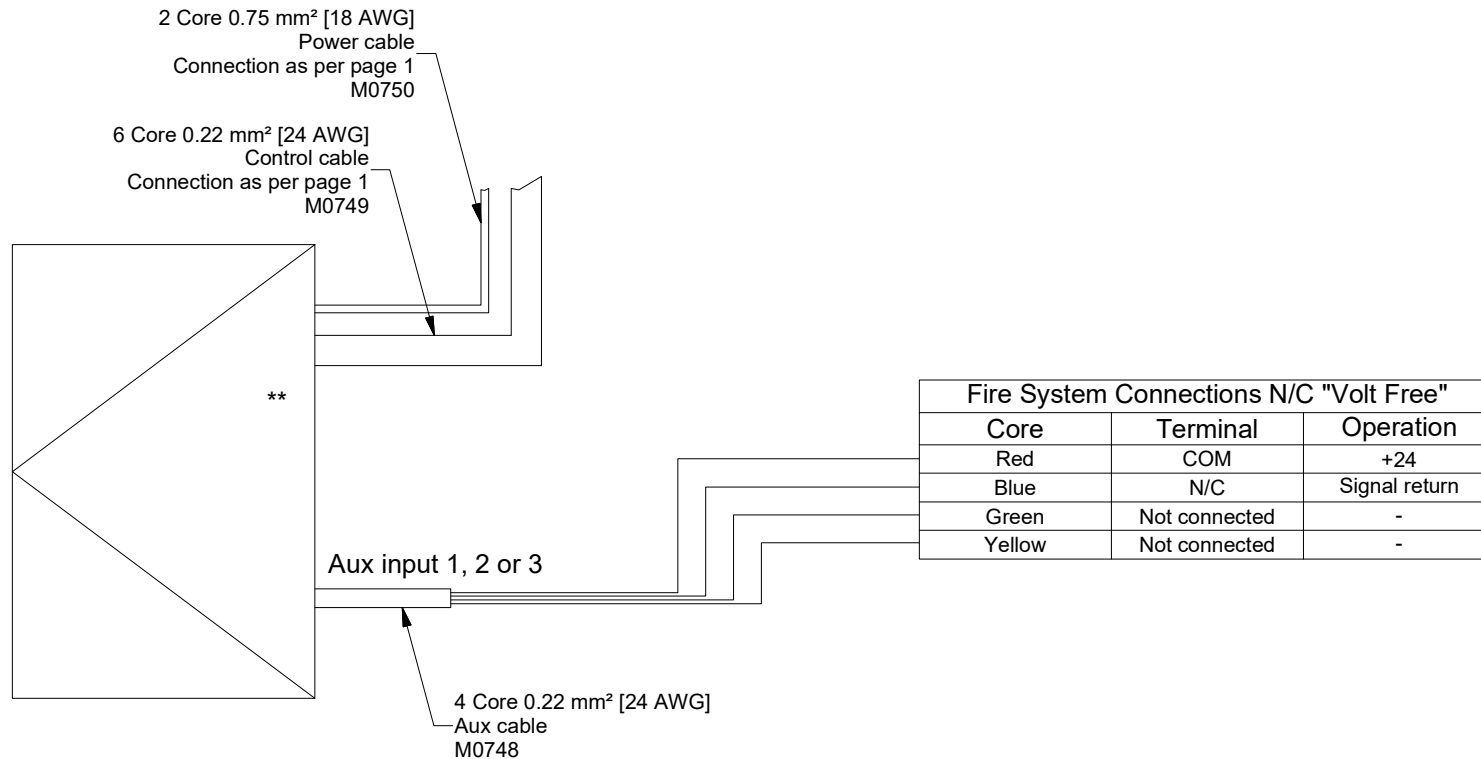
Although this product can be connected to and operated by a fire system, it is not accredited for use as a fire escape or as an AOV.

The control switch must be installed for maintenance reasons.

All cables supplied at 2 m [78 in], extendable to 10 m [393 in] with appropriate cable.

For automatic operation, the thermostat needs to be switched on. For manual operation using the control switch the thermostat needs to be switched off.

All optional items must be specified at time of order.



GLASS CONFORMS TO IMPACT RESISTANCE AND BREAKAGE CHARACTERISTICS OF BS EN 12600:2002. IGUs FABRICATED TO BS EN 1279 AND SUPPLIED IN ACCORDANCE WITH BS 5516-2:2004.

FINISH SPECIFICATION:

POLYESTER POWDER COATED: MIN 40 MICRONS
 STANDARD EXTERNAL COLOUR: **RAL 7015 Slate Grey**
 STANDARD INTERNAL COLOUR: **RAL 9010 Pure White**
FIXING SPECIFICATION: A2 STAINLESS STEEL
SEALANTS SPECIFICATION: NEUTRAL CURE TO BS5889
 ALL DIMENSIONS mm [in] UNLESS OTHERWISE STATED.



UK Office

Sawmills Road
 Diss Norfolk IP22 4RG
 Tel: +44 (0)1379 658300
 Email: sales@glazingvision.co.uk
 Website: www.glazingvision.co.uk

USA Office

201 Locust Street
 Hartford Connecticut 06114
 Tel: +1 860 206 8111
 Email: sales@glazingvision.com
 Website: www.glazingvision.com

IT IS GLAZING VISION'S POLICY TO CONTINUOUSLY DEVELOP AND IMPROVE OUR PRODUCTS. WE THEREFORE RESERVE THE RIGHT TO MODIFY OR CHANGE THE DETAIL DESIGN AT OUR DISCRETION AND WITHOUT PRIOR NOTICE.

THIS DRAWING IS COPYRIGHT AND THE SOLE PROPERTY OF GLAZING VISION LTD. THE DESIGNS / INFORMATION IT CONTAINS ARE PRIVATE AND CONFIDENTIAL. IT MUST NOT BE COPIED, EXHIBITED OR COMMUNICATED TO THIRD PARTIES FOR ANY PURPOSE OTHER THAN THAT FOR WHICH IT WAS ISSUED WITHOUT THE WRITTEN PERMISSION OF GLAZING VISION LTD.

REV.	REVISION DESCRIPTION	NAME/DATE
-	Initial release	HL 17.07.19
A	Keypad wiring diagram added	HL 30.10.19

CHECKED MJM 30.10.19 SCALE NTS

PRODUCT GV Standard Free Standing Skybox

DESCRIPTION
 Client Wiring Diagrams

DRAWING NUMBER 700-ASS-016 SHEET 3 of 6

**Cables exit from the underside of the product. Refer to drawing 700-ASS-015 for detailed exit position.

Rain Sensor Connection

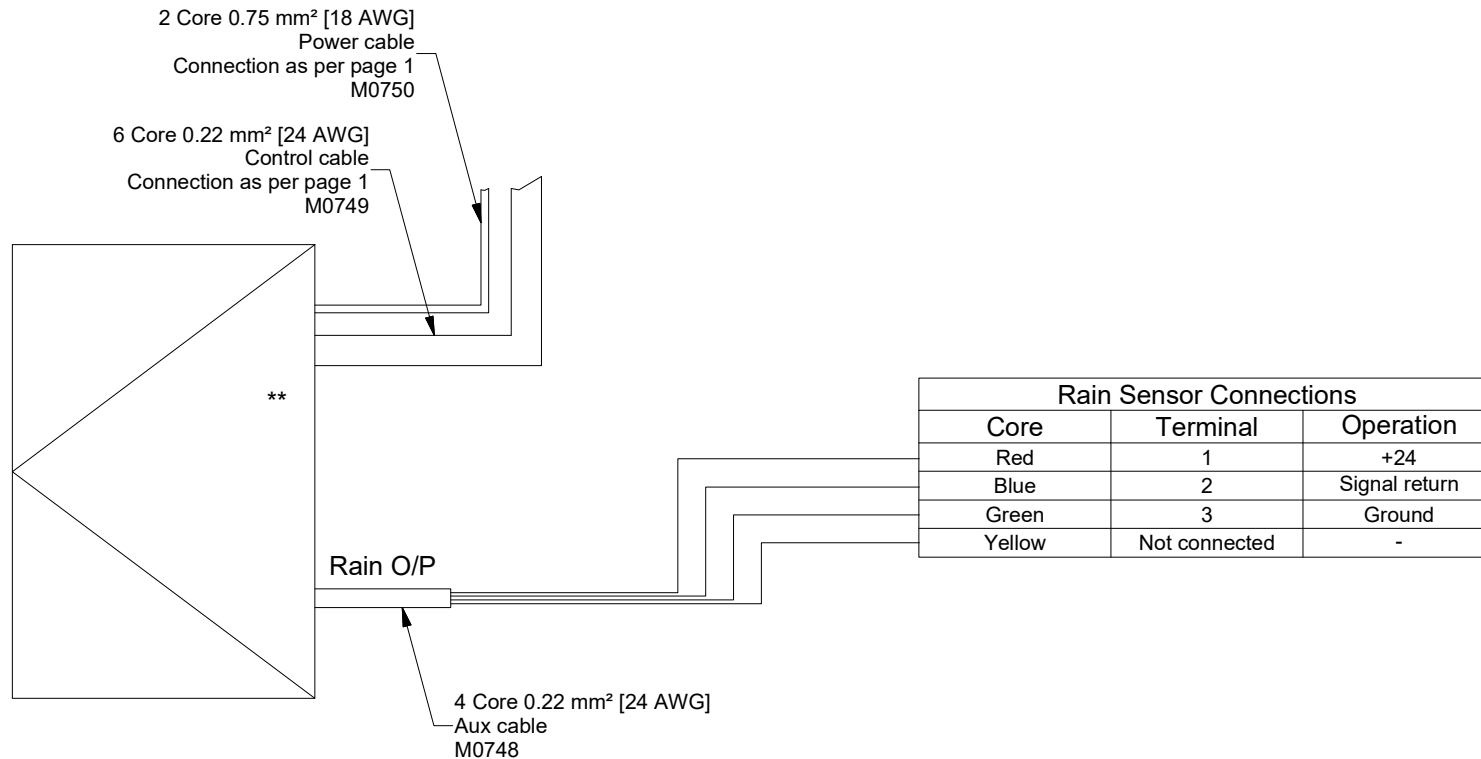
This is a fixed installation using Glazing Vision's supplied digital rain sensor. All connections should be carried out by a competent person.

The control switch must be installed for maintenance reasons.

All cables supplied at 2 m [78 in], extendable to 10 m [393 in] with appropriate cable.

For automatic operation, the thermostat needs to be switched on. For manual operation using the control switch the thermostat needs to be switched off.

All optional items must be specified at time of order.



GLASS CONFORMS TO IMPACT RESISTANCE AND BREAKAGE CHARACTERISTICS OF BS EN 12600:2002. IGUs FABRICATED TO BS EN 1279 AND SUPPLIED IN ACCORDANCE WITH BS 5516-2:2004.

FINISH SPECIFICATION:

POLYESTER POWDER COATED: MIN 40 MICRONS

STANDARD EXTERNAL COLOUR: **RAL 7015 Slate Grey**

STANDARD INTERNAL COLOUR: **RAL 9010 Pure White**

FIXING SPECIFICATION: A2 STAINLESS STEEL

SEALANTS SPECIFICATION: NEUTRAL CURE TO BS5889

ALL DIMENSIONS mm [in] UNLESS OTHERWISE STATED.



UK Office

Sawmills Road
Diss
Norfolk
IP22 4RG

Tel: +44 (0)1379 658300
Email: sales@glazingvision.co.uk
Website: www.glazingvision.co.uk

USA Office

201 Locust Street
Hartford
Connecticut
06114

Tel: +1 860 206 8111
Email: sales@glazingvision.com
Website: www.glazingvision.com

IT IS GLAZING VISION'S POLICY TO CONTINUOUSLY DEVELOP AND IMPROVE OUR PRODUCTS. WE THEREFORE RESERVE THE RIGHT TO MODIFY OR CHANGE THE DETAIL DESIGN AT OUR DISCRETION AND WITHOUT PRIOR NOTICE.

THIS DRAWING IS COPYRIGHT AND THE SOLE PROPERTY OF GLAZING VISION LTD. THE DESIGNS / INFORMATION IT CONTAINS ARE PRIVATE AND CONFIDENTIAL. IT MUST NOT BE COPIED, EXHIBITED OR COMMUNICATED TO THIRD PARTIES FOR ANY PURPOSE OTHER THAN THAT FOR WHICH IT WAS ISSUED WITHOUT THE WRITTEN PERMISSION OF GLAZING VISION LTD.

REV.	REVISION DESCRIPTION	NAME/DATE
-	Initial release	HL 17.07.19
A	Keypad wiring diagram added	HL 30.10.19

CHECKED MJM 30.10.19 SCALE NTS

PRODUCT GV Standard Free Standing Skybox

DESCRIPTION
Client Wiring Diagrams

DRAWING NUMBER 700-ASS-016 SHEET 4 of 6

**Cables exit from the underside of the product. Refer to drawing 700-ASS-015 for detailed exit position.

Thermostat Connection

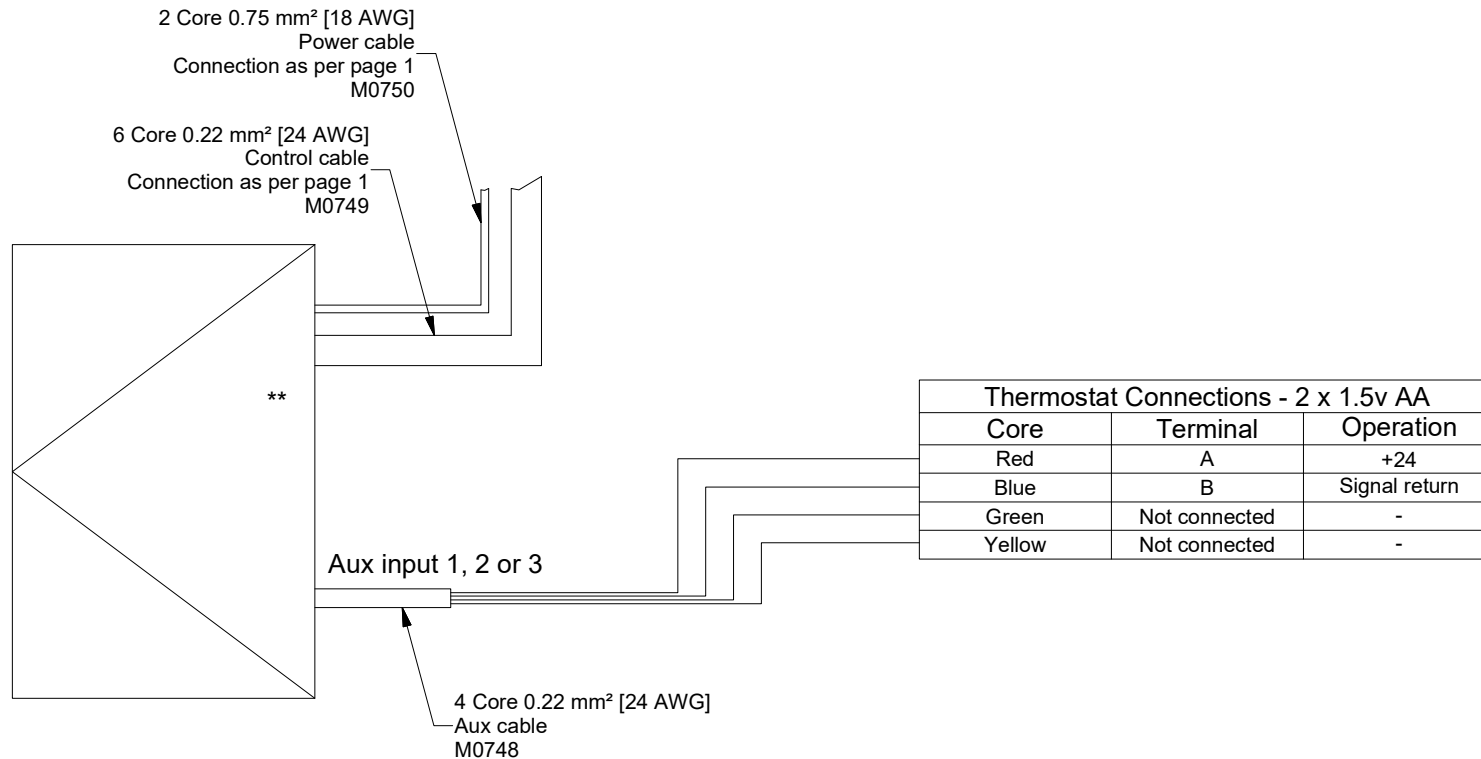
This is a fixed installation using Glazing Vision's supplied Thermostat. All connections should be carried out by a competent person.

The control switch must be installed for maintenance reasons.

All cables supplied at 2 m [78 in], extendable to 10 m [393 in] with appropriate cable.

For automatic operation, the thermostat needs to be switched on. For manual operation using the control switch the thermostat needs to be switched off.

All optional items must be specified at time of order.



**Cables exit from the underside of the product. Refer to drawing 700-ASS-015 for detailed exit position.

GLASS CONFORMS TO IMPACT RESISTANCE AND BREAKAGE CHARACTERISTICS OF BS EN 12600:2002. IGUs FABRICATED TO BS EN 1279 AND SUPPLIED IN ACCORDANCE WITH BS 5516-2:2004.

FINISH SPECIFICATION:

POLYESTER POWDER COATED: MIN 40 MICRONS
 STANDARD EXTERNAL COLOUR: **RAL 7015 Slate Grey**
 STANDARD INTERNAL COLOUR: **RAL 9010 Pure White**
FIXING SPECIFICATION: A2 STAINLESS STEEL
SEALANTS SPECIFICATION: NEUTRAL CURE TO BS5889
 ALL DIMENSIONS mm [in] UNLESS OTHERWISE STATED.



UK Office

Sawmills Road
 Diss Norfolk IP22 4RG
 Tel: +44 (0)1379 658300
 Email: sales@glazingvision.co.uk
 Website: www.glazingvision.co.uk

USA Office

201 Locust Street
 Hartford Connecticut 06114
 Tel: +1 860 206 8111
 Email: sales@glazingvision.com
 Website: www.glazingvision.com

IT IS GLAZING VISION'S POLICY TO CONTINUOUSLY DEVELOP AND IMPROVE OUR PRODUCTS. WE THEREFORE RESERVE THE RIGHT TO MODIFY OR CHANGE THE DETAIL DESIGN AT OUR DISCRETION AND WITHOUT PRIOR NOTICE.

THIS DRAWING IS COPYRIGHT AND THE SOLE PROPERTY OF GLAZING VISION LTD. THE DESIGNS / INFORMATION IT CONTAINS ARE PRIVATE AND CONFIDENTIAL. IT MUST NOT BE COPIED, EXHIBITED OR COMMUNICATED TO THIRD PARTIES FOR ANY PURPOSE OTHER THAN THAT FOR WHICH IT WAS ISSUED WITHOUT THE WRITTEN PERMISSION OF GLAZING VISION LTD.

REV.	REVISION DESCRIPTION	NAME/DATE
-	Initial release	HL 17.07.19
A	Keypad wiring diagram added	HL 30.10.19

CHECKED MJM 30.10.19 SCALE NTS

PRODUCT GV Standard Free Standing Skybox

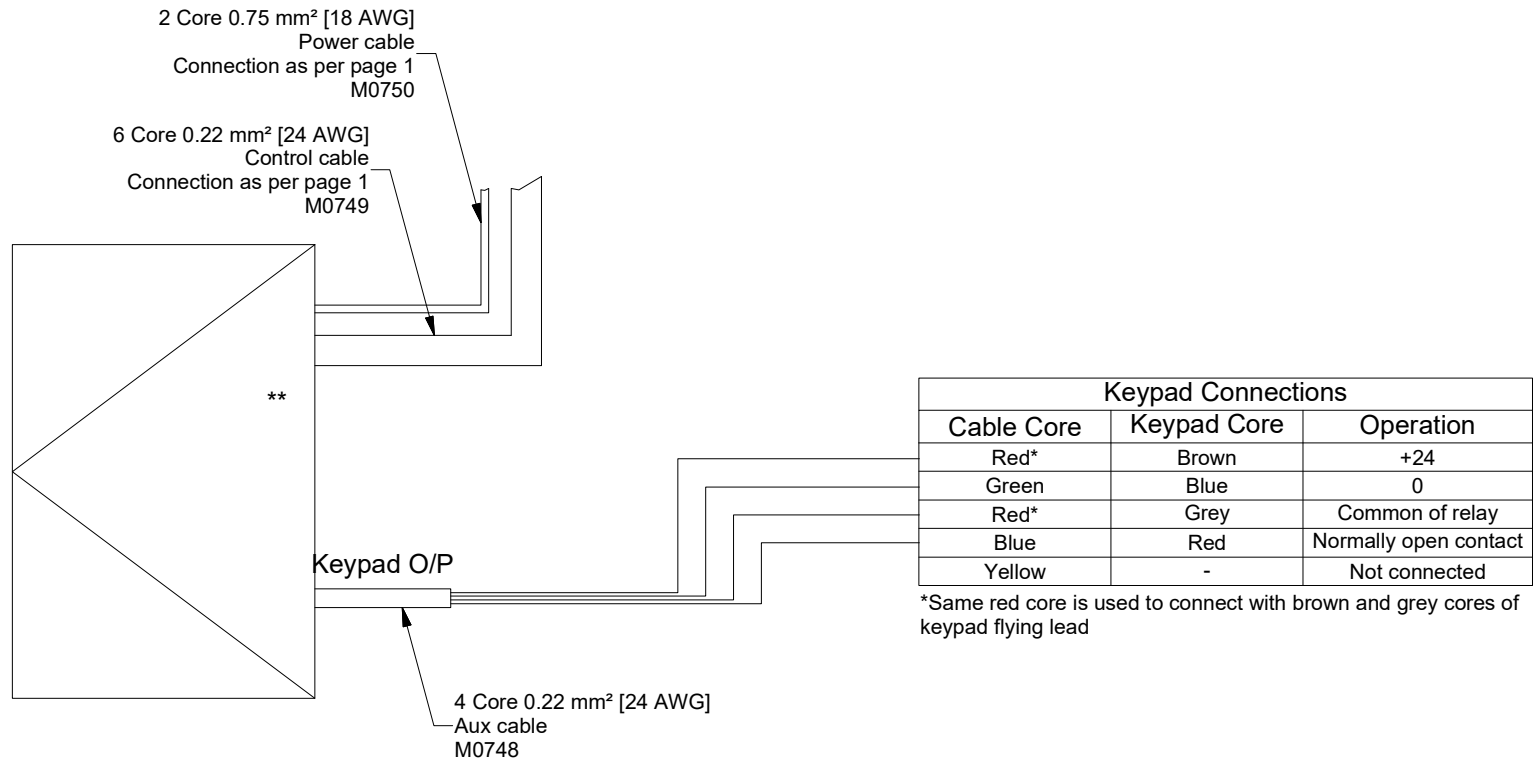
DESCRIPTION
 Client Wiring Diagrams

DRAWING NUMBER 700-ASS-016 SHEET 5 of 6

Keypad Connection

This is a fixed installation using Glazing Vision's supplied keypad. All connections should be carried out by a competent person.

All optional items must be specified at time of order.



GLASS CONFORMS TO IMPACT RESISTANCE AND BREAKAGE CHARACTERISTICS OF BS EN 12600:2002. IGUs FABRICATED TO BS EN 1279 AND SUPPLIED IN ACCORDANCE WITH BS 5516-2:2004.

FINISH SPECIFICATION:

POLYESTER POWDER COATED: MIN 40 MICRONS
 STANDARD EXTERNAL COLOUR: **RAL 7015 Slate Grey**
 STANDARD INTERNAL COLOUR: **RAL 9010 Pure White**

FIXING SPECIFICATION: A2 STAINLESS STEEL

SEALANTS SPECIFICATION: NEUTRAL CURE TO BS5889

ALL DIMENSIONS mm [in] UNLESS OTHERWISE STATED.



UK Office

Sawmills Road
 Diss Norfolk IP22 4RG
 Tel: +44 (0)1379 658300
 Email: sales@glazingvision.co.uk
 Website: www.glazingvision.co.uk

USA Office

201 Locust Street
 Hartford Connecticut 06114
 Tel: +1 860 206 8111
 Email: sales@glazingvision.com
 Website: www.glazingvision.com

IT IS GLAZING VISION'S POLICY TO CONTINUOUSLY DEVELOP AND IMPROVE OUR PRODUCTS. WE THEREFORE RESERVE THE RIGHT TO MODIFY OR CHANGE THE DETAIL DESIGN AT OUR DISCRETION AND WITHOUT PRIOR NOTICE.

THIS DRAWING IS COPYRIGHT AND THE SOLE PROPERTY OF GLAZING VISION LTD. THE DESIGNS / INFORMATION IT CONTAINS ARE PRIVATE AND CONFIDENTIAL. IT MUST NOT BE COPIED, EXHIBITED OR COMMUNICATED TO THIRD PARTIES FOR ANY PURPOSE OTHER THAN THAT FOR WHICH IT WAS ISSUED WITHOUT THE WRITTEN PERMISSION OF GLAZING VISION LTD.

REV.	REVISION DESCRIPTION	NAME/DATE
-	Initial release	HL 17.07.19
A	Keypad wiring diagram added	HL 30.10.19

CHECKED MJM 30.10.19 SCALE NTS

PRODUCT GV Standard Free Standing Skybox

DESCRIPTION
 Client Wiring Diagrams

DRAWING NUMBER 700-ASS-016 SHEET 6 of 6

**Cables exit from the underside of the product. Refer to drawing 700-ASS-015 for detailed exit position.