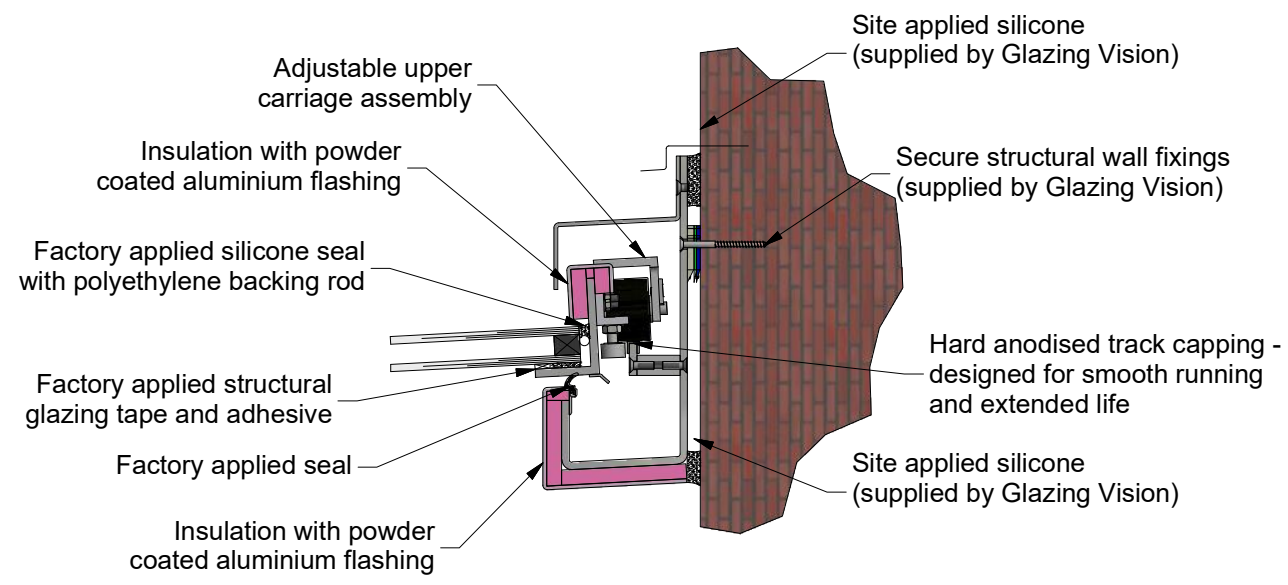
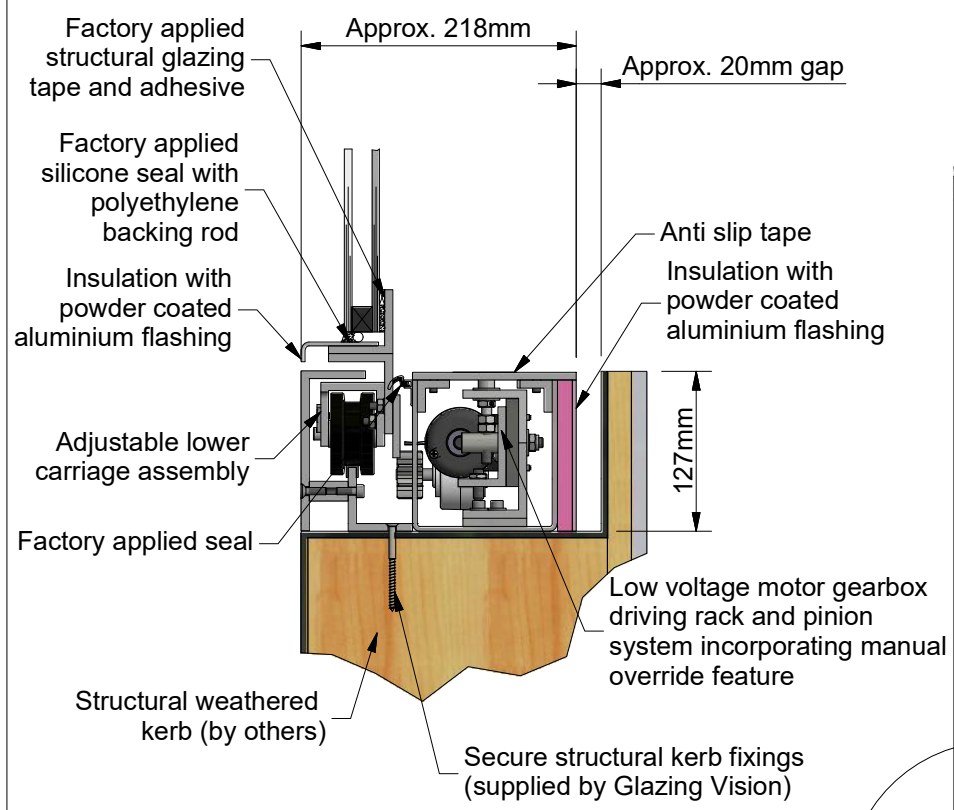


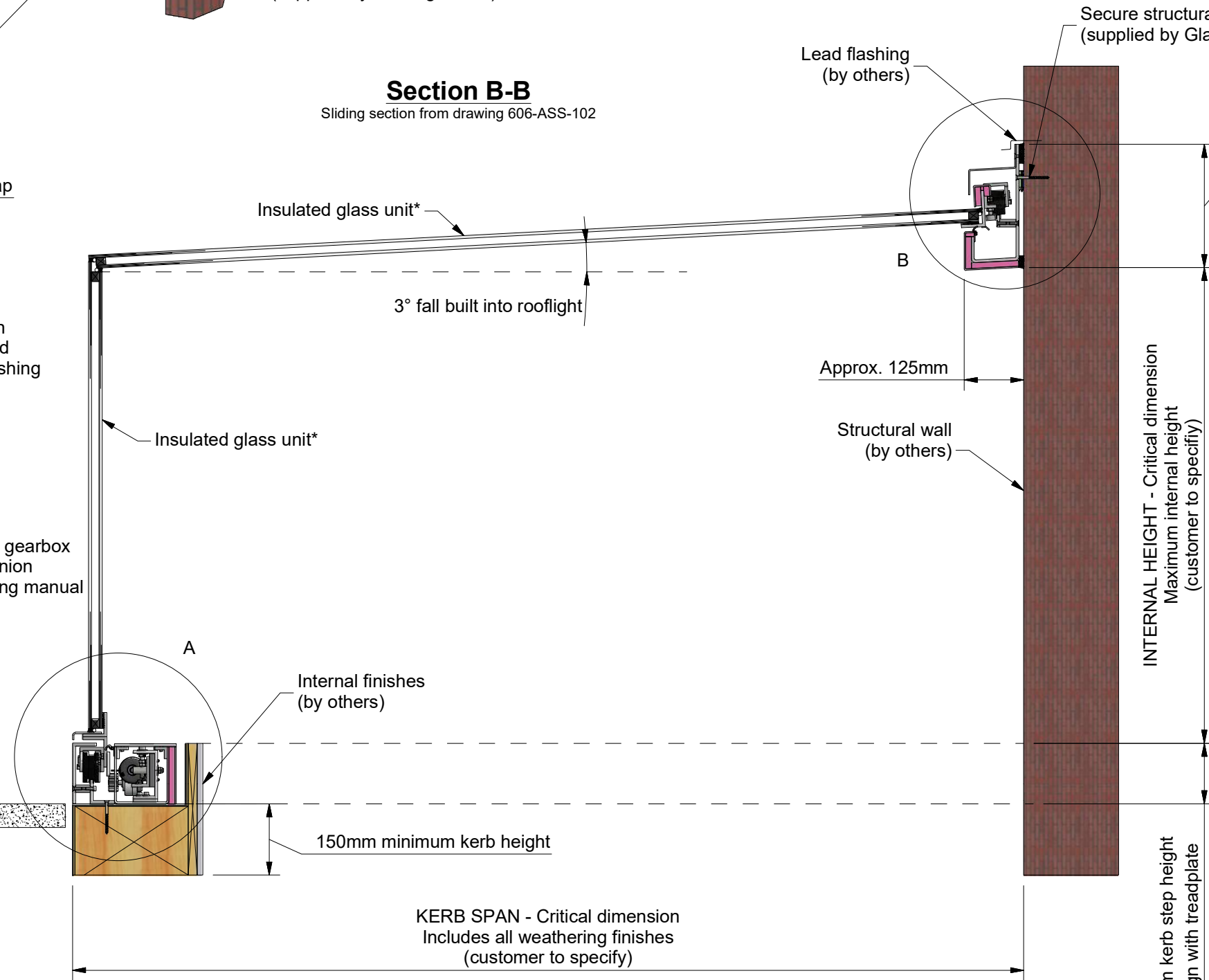
Detail B
Sliding head detail



Detail A
Sliding base detail



Section B-B
Sliding section from drawing 606-ASS-102



260mm fixed dimension to overall height

GLASS CONFORMS TO IMPACT RESISTANCE AND BREAKAGE CHARACTERISTICS OF BS EN 12600:2002. IGUs FABRICATED TO BS EN 1279 AND SUPPLIED IN ACCORDANCE WITH BS 5516-2:2004.

FINISH SPECIFICATION:
POLYESTER POWDER COATED: MIN 40 MICRONS
STANDARD EXTERNAL COLOUR: **RAL 7015 Slate Grey**
STANDARD INTERNAL COLOUR: **RAL 9010 Pure White**
FIXING SPECIFICATION: A2 STAINLESS STEEL
SEALANTS SPECIFICATION: NEUTRAL CURE TO BS5889
ALL DIMENSIONS mm UNLESS OTHERWISE STATED.

GLAZING VISION

Sawmills Road
Diss Norfolk IP22 4RG
Tel: +44 (0)1379 658300
Email: sales@glazingvision.co.uk
Website: www.glazingvision.co.uk

IT IS GLAZING VISION'S POLICY TO CONTINUOUSLY DEVELOP AND IMPROVE OUR PRODUCTS. WE THEREFORE RESERVE THE RIGHT TO MODIFY OR CHANGE THE DETAIL DESIGN AT OUR DISCRETION AND WITHOUT PRIOR NOTICE.

THIS DRAWING IS COPYRIGHT AND THE SOLE PROPERTY OF GLAZING VISION LTD. THE DESIGNS / INFORMATION IT CONTAINS ARE PRIVATE AND CONFIDENTIAL. IT MUST NOT BE COPIED, EXHIBITED OR COMMUNICATED TO THIRD PARTIES FOR ANY PURPOSE OTHER THAN THAT FOR WHICH IT WAS ISSUED WITHOUT THE WRITTEN PERMISSION OF GLAZING VISION LTD.

REV.	REVISION DESCRIPTION	NAME/DATE
-	Initial release	HL 16/10/18
A	Kerb step height revised from 157mm, door bottom detail revised	JSL 14/11/18
B	Change to bottom door angle	HL 16/11/18

CHECKED SW 16/11/18 SCALE NTS

PRODUCT GV Standard 3-Wall Box

DESCRIPTION Section B-B

DRAWING NUMBER 606-ASS-104 SHEET 1 of 1

*Example glass specification:
6mm clear toughened outer pane
16mm Black silicone sealed argon filled cavity with warm edge spacer
6mm clear toughened inner pane with soft low E coating