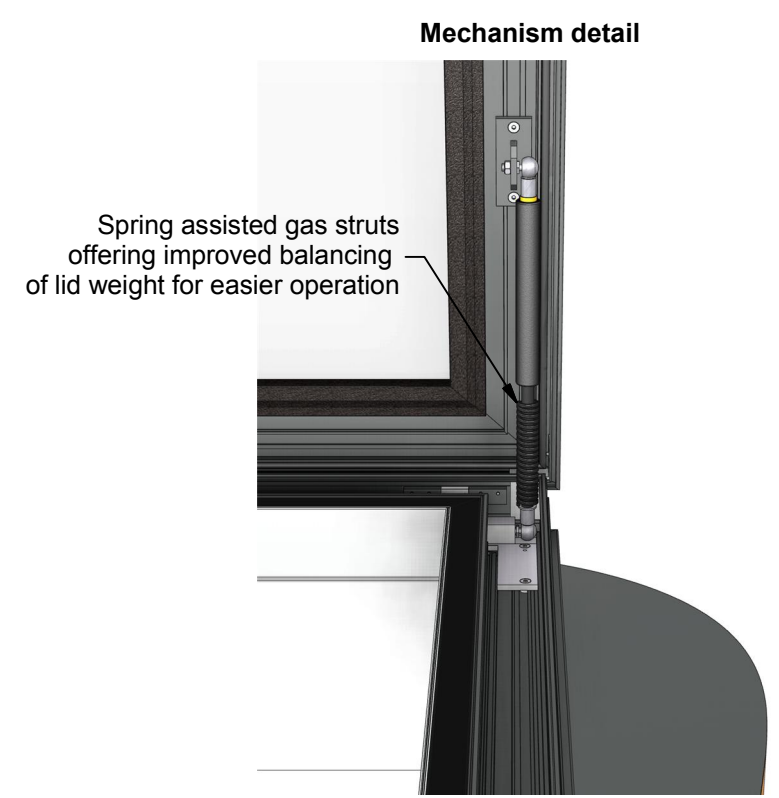
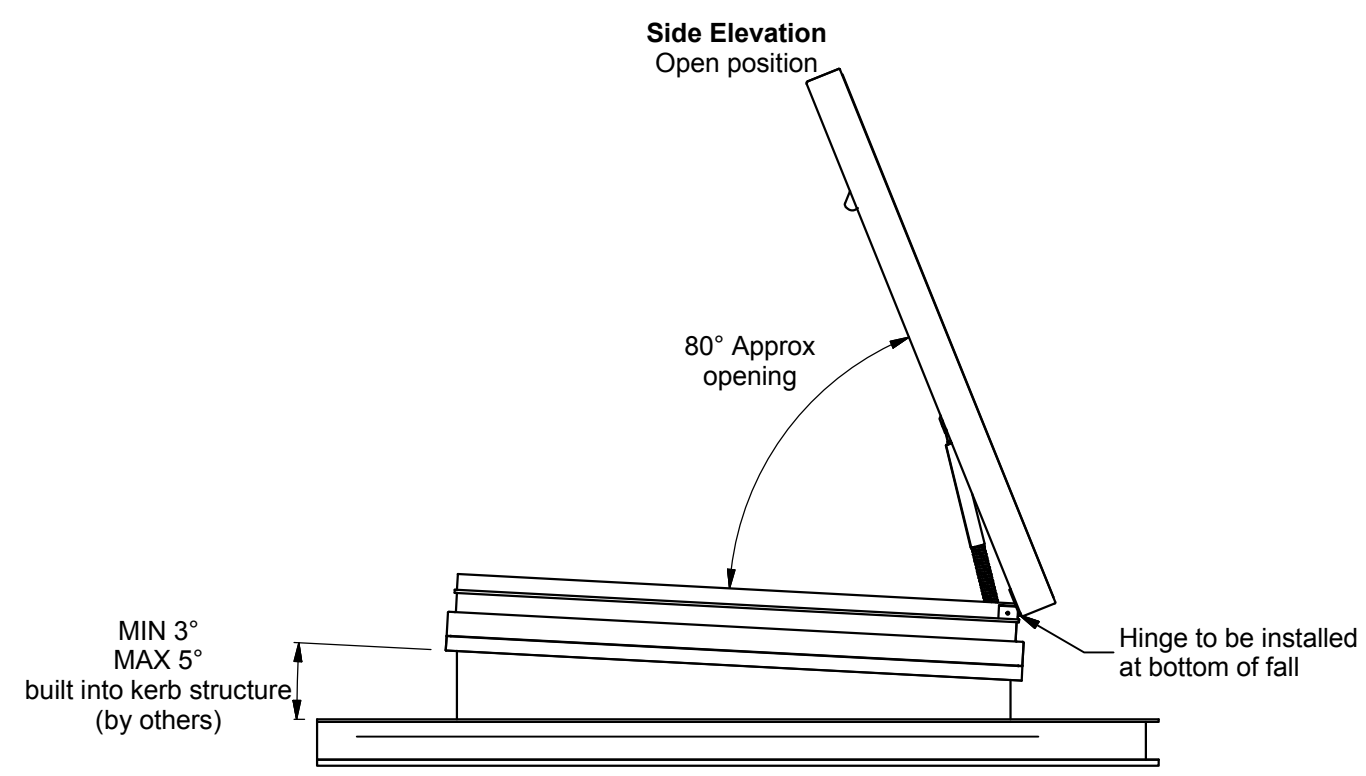


Refer to standard drawing 401-ASS-401 for kerb specification details however please note this product has a maximum overall kerb thickness limit of 110mm. Exceeding this limit will prevent the handle turning and unlocking the rooflight.

For sectional rooflight detail refer to drawing 401-ASS-410.



Rev	Revision Description	Drawn/Date
-	Initial release	JamesB 02.04.14
A	Renamed drawing from Maintenance hatch to maintenance access hatch	JamesB 09.04.14

Product: 401 - GV Standard VisionVent	Checked By: DylanR
Description: 2000x1100mm Maintenance access hatch	Check Date: 03.04.14
Materials: N/A	Drawn By: JamesB
Finish: N/A	Drawn Date: 02.04.14
Weight: N/A	Quantity: N/A
Quantity: N/A	Scale: N/A
Drawing No: 401-ASS-415	