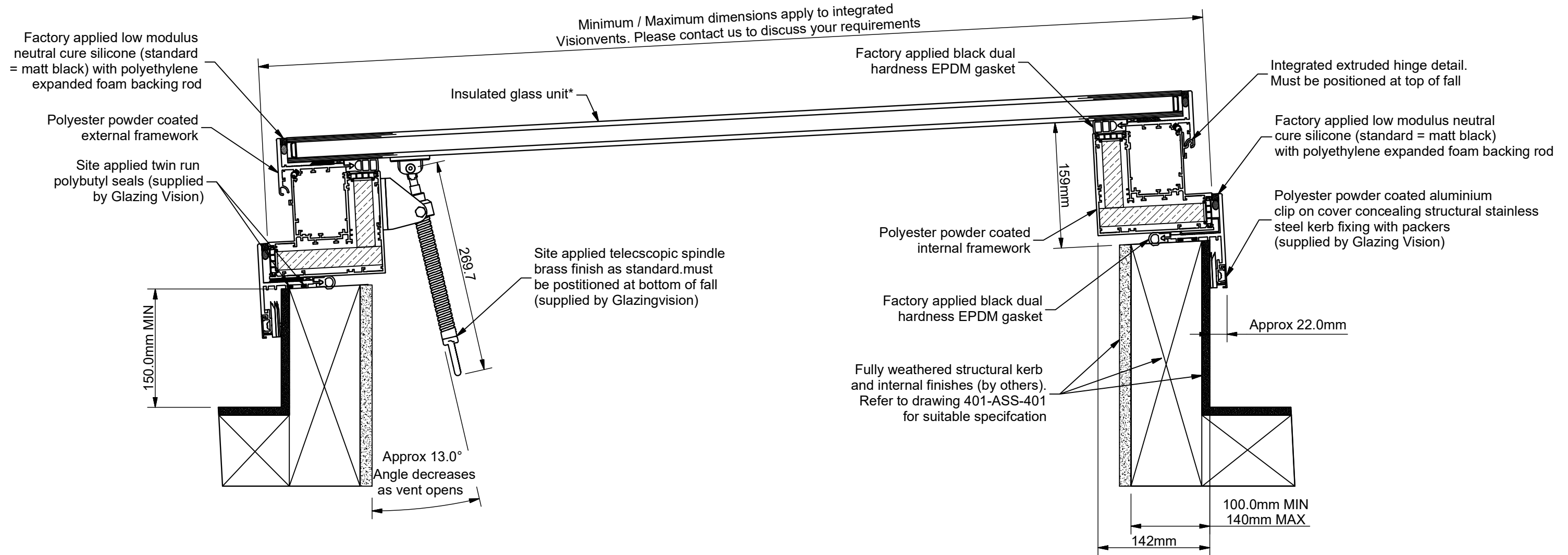
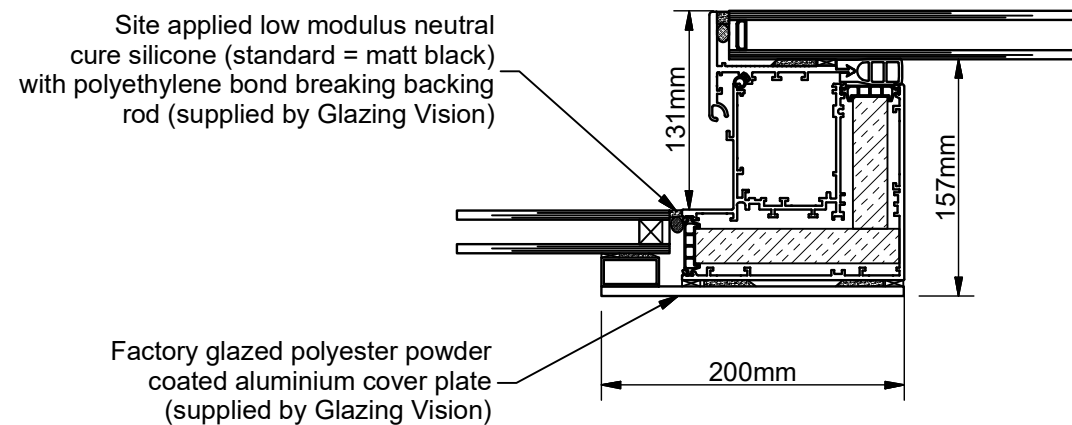


**Section along the opening edge into the flushglaze frame  
( Scale 1 : 5 )**

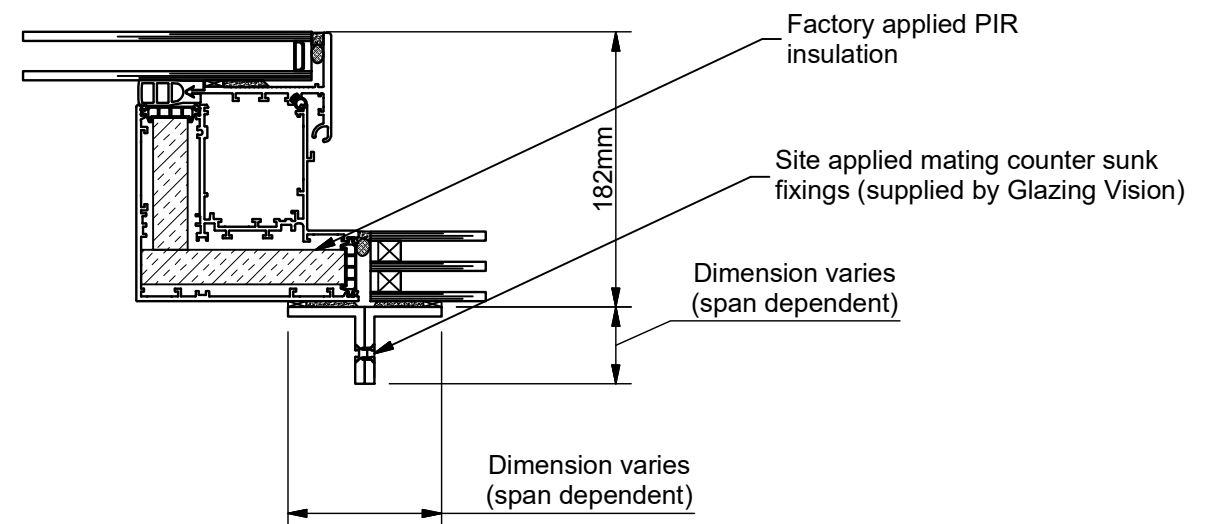


**Section along glass edge  
Flat plate detail  
( Scale 1 : 5 )**



Two details shown either side are optional depending on required span dimension. Please confirm support details at time of order.

**Section along glass edge  
Back to back angle support  
( Scale 1 : 5 )**



\*Specification dependant on client options and glazing area  
Design patented:GB2514119

<p>Saw Mills Road Diss Norfolk IP22 4RG</p> <p>Tel: +44 (0)333 8000 881 Fax: +44 (0)333 8000 882 Email: sales@glazingvision.co.uk Website: www.glazingvision.co.uk</p>	<p>IT IS GLAZING VISION'S POLICY TO CONTINUOUSLY DEVELOP AND IMPROVE OUR PRODUCTS. WE THEREFORE RESERVE THE RIGHT TO MODIFY OR CHANGE THE DETAIL DESIGN AT OUR DISCRETION AND WITHOUT PRIOR NOTICE. THIS DRAWING IS COPYRIGHT AND THE SOLE PROPERTY OF GLAZING VISION LTD. THE DESIGNS/INFORMATION IT CONTAINS ARE PRIVATE AND CONFIDENTIAL. IT MUST NOT BE COPIED, EXHIBITED OR COMMUNICATED TO THIRD PARTIES FOR ANY PURPOSE OTHER THAN THAT FOR WHICH IT WAS ISSUED WITHOUT THE WRITTEN PERMISSION OF GLAZING VISION LTD.</p>	<p>Third angle projection unless otherwise noted. Tolerances: Whole numbers = ±1mm One decimal place = ±0.5mm Two decimal places = ±0.2mm All angles 90±0.5 degrees unless specified <b>IF IN DOUBT - ASK! DO NOT SCALE</b> Supplier to deburr &amp; remove sharp corners</p>	Rev	Revision Description	Drawn/ Date	Product: 401 - GV Standard VisionVent Description: Integrated manual VisionVent	Checked By: HL
			D	Spelling corrected on revA (revB & revC skipped).	JSL 18.06.18	Materials: N/A Finish: N/A	Check Date: 18.06.18
			A	updated spindle arrangement and patent Note added.	SW 21.10.16	Weight: N/A Quantity: N/A Scale: As above	
							Drawn By: JamesB Drawn Date: 04.12.13 Drawing No: 401-ASS-404