



GV Standard Sliding Over Fixed

Installation Instruction Manual

"Technical experts in the design, manufacture and supply of precision engineered, architectural rooflights for residential and commercial buildings."

Important checks before proceeding with installation

Check that the kerb is built to Glazing Vision's sales drawings. In particular:

- Kerb structure is dimensionally correct to customer order and kerb drawings.
- Top surface of kerb is flat (although it will be pitched at least 3 degrees) without undulations greater than +/-2mm.
- Cable exit hole has been included in the kerb.
- Kerb has been weathered as per drawing 603-ASS-402. Note: if using any metallic waterproofing material, this cannot be applied across the top surface of the kerb as this will cause a thermal bridge which can lead to internal condensation and invalidate the rooflight warranty.

Installation procedure

1. Remove all packaging from rooflight including polyfoam glass protection and low tack tape.
2. Remove clip on covers around lower perimeter of rooflight. This is done by first pulling the bottom to release as shown in *Figure 1*. Take care not to deform the section or scratch any powder coat.

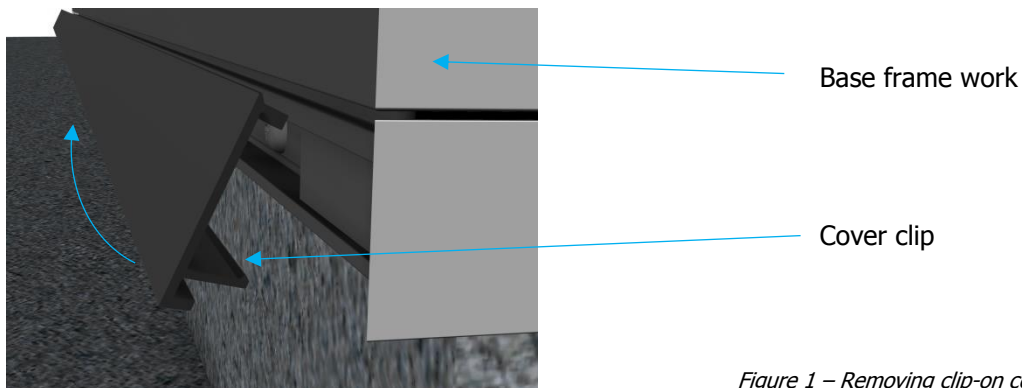


Figure 1 – Removing clip-on cover

3. Position sliding frame $\frac{2}{3}$ of the way over the fixed pane, figures 2 and 3 show example position with full lifting frame assembled. Note use extended lifting beam and support open end with strop. Referring to *Figure 4 and 5*, attach spreader plates to sliding frame using M4 fixings supplied (2 per plate).
4. Mount lifting bracket to tapping plate in the base frame using M6 high tensile fixings supplied (3 per bracket). Adjust rubber feet to make light contact with top of glass (do not tighten). Repeat for the 3 other corners.
5. Assemble lifting frame (refer to Glazing Vision drawing MA0065) to position lifting eyes with lifting brackets. Secure joints using clevis pins and R-clips (2 per lifting bracket and joining brackets). Finer adjustment of position is achieved with the fixings on the lifting bracket. Once in position, ensure nuts are tightened appropriately for lift.

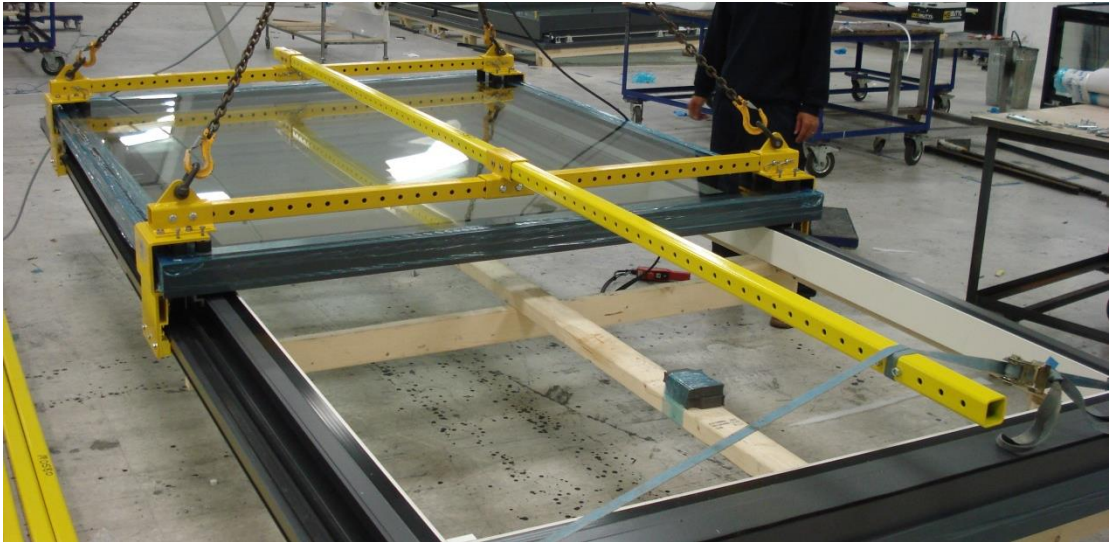


Figure 2 – Lifting frame arrangement

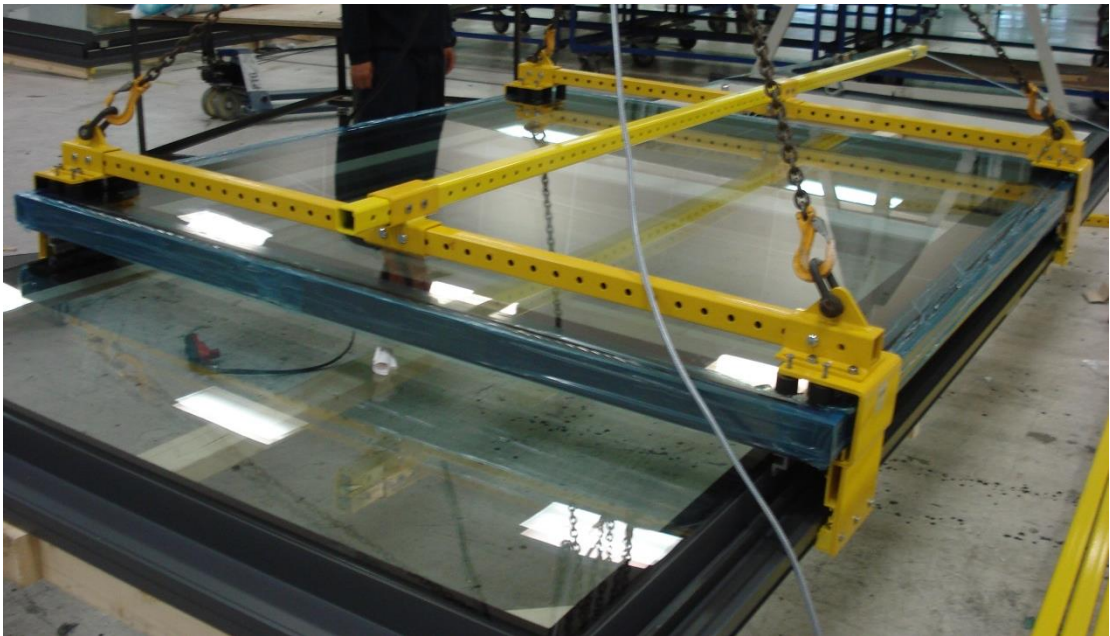


Figure 3 – Lifting frame arrangement

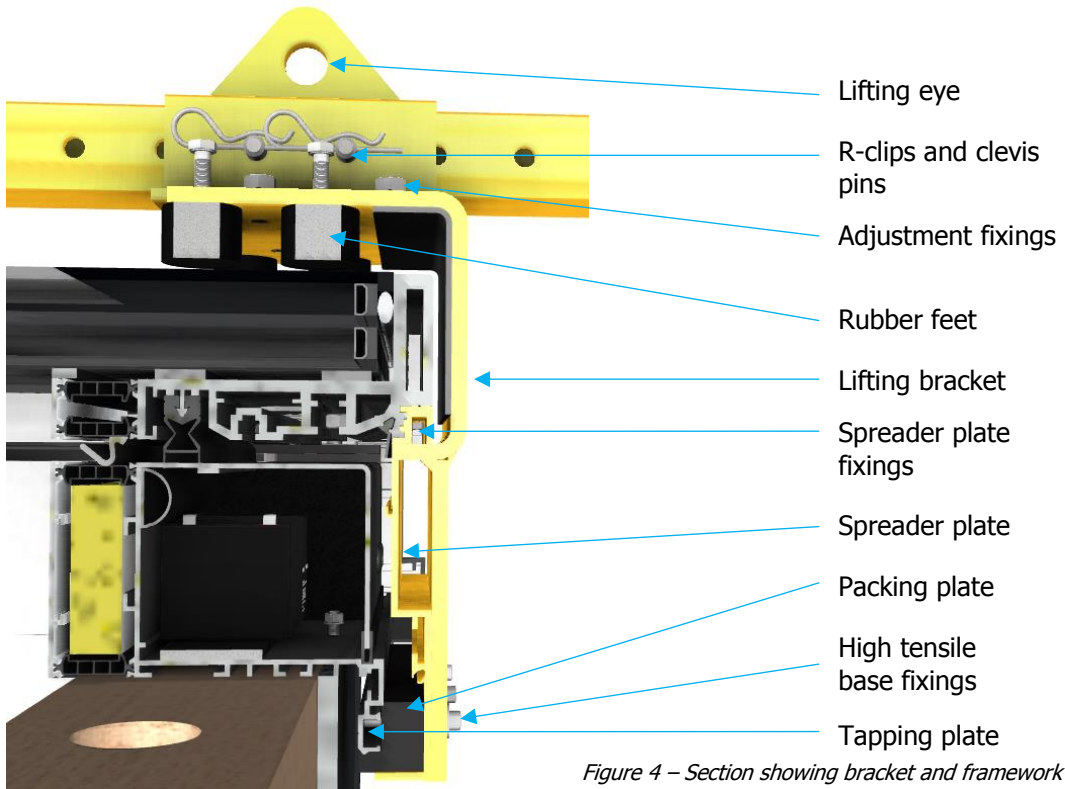


Figure 4 – Section showing bracket and framework

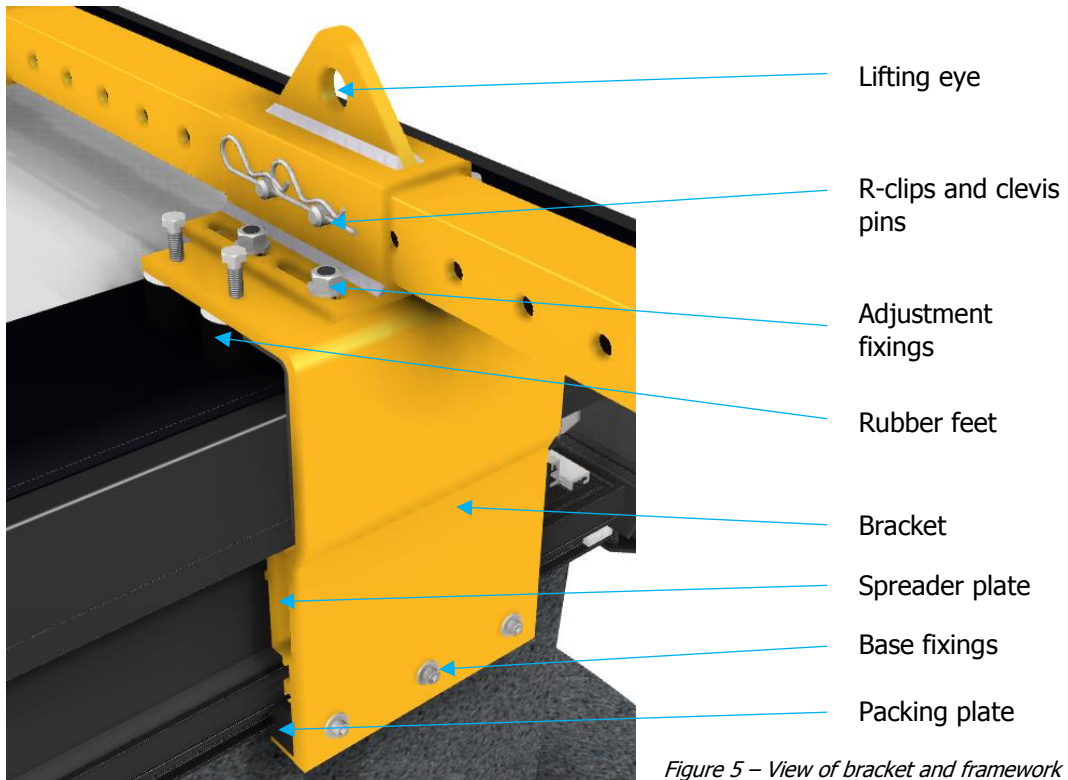


Figure 5 – View of bracket and framework

6. Attach shackles to lifting eyes (*Figure 2 and 3*). Attach chains/strops to shackles. These must be a minimum of 5 metres in length.
7. Carefully lift rooflight to the roof.

8. Apply two continuous runs of silicone (supplied in installation kit) to top of kerb. Position runs approximately 25mm and 100mm from outside edge of kerb (*Figure 4*).

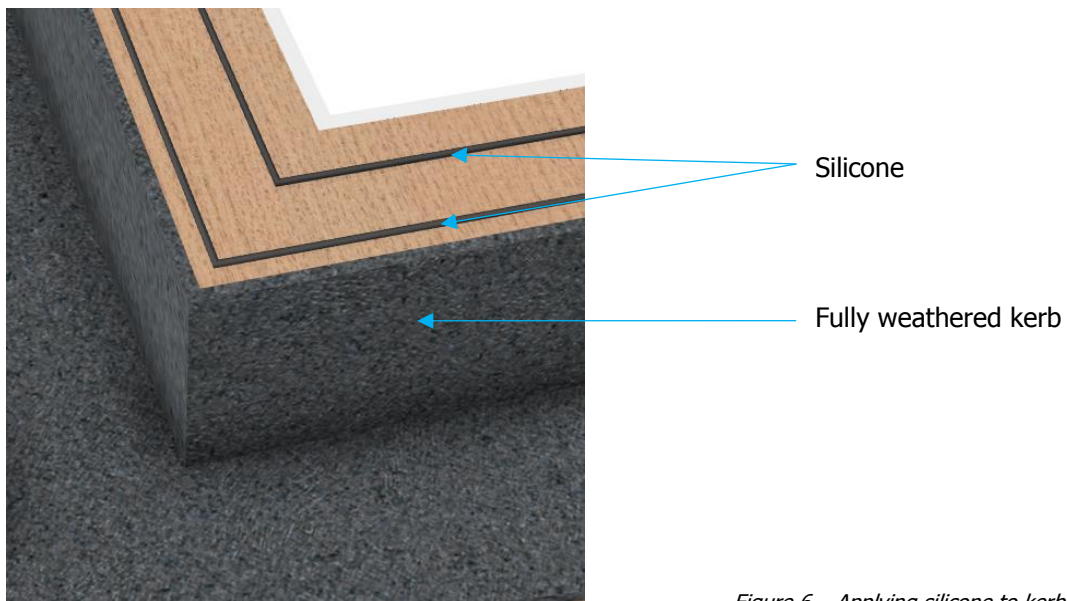


Figure 6 – Applying silicone to kerb

9. Carefully lift rooflight over to kerb.
10. Feed power and control cables from base framework into hole in kerb (*Figure 5*). If BMS integration option was purchased there will be a third cable.

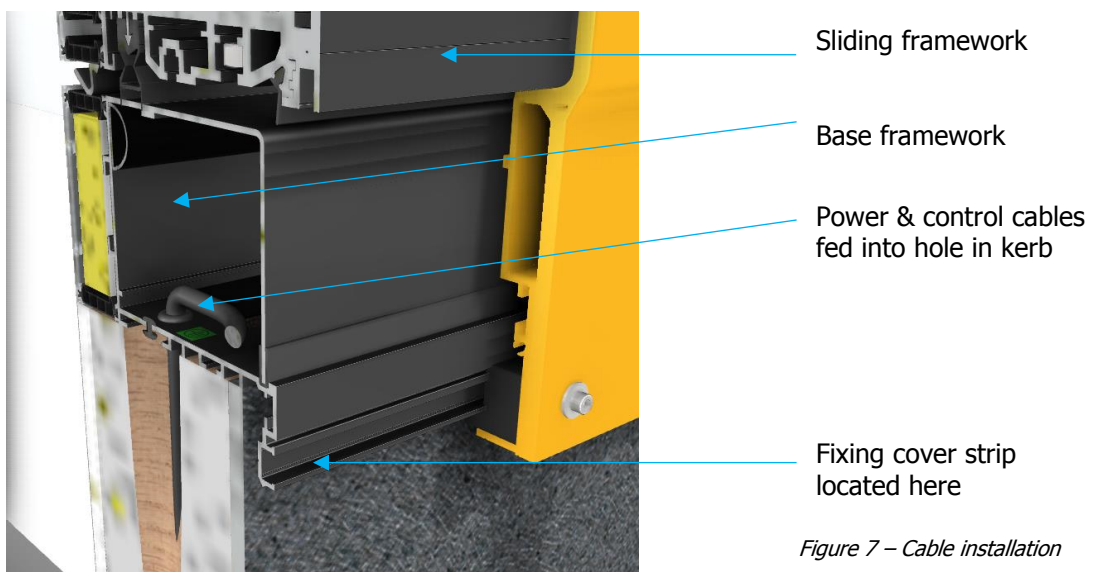


Figure 7 – Cable installation

11. Gently lower rooflight to kerb ensuring cables are not kinked or snagged under framework.
12. With base framework in contact with kerb top and majority of rooflight weight still supported, adjust position of rooflight on kerb ensuring internal framework is equally spaced and aligned with internal finishes.
13. Gently release weight of rooflight. Remove crane before doing any further work.
14. Drill pilot holes in kerb using holes in drip leg on base framework. Use a suitable size drill to suit fixings supplied. Secure base frame to kerb using supplied fixings and packers. The packers must fill the gap between kerb and rooflight base frame for each woodscrew (*Figure 6*) to prevent distortion of framework.

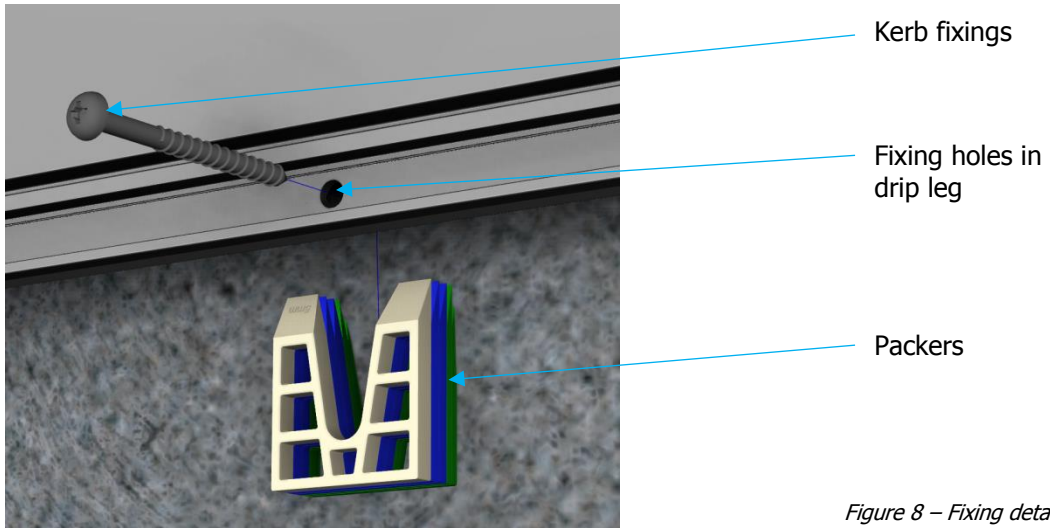


Figure 8 – Fixing detail

15. Secure all flashings to sliding frame using M4 cap head fixings supplied.
16. Secure rear flashing to base frame with 9 fixings provided (*Figure 7*).

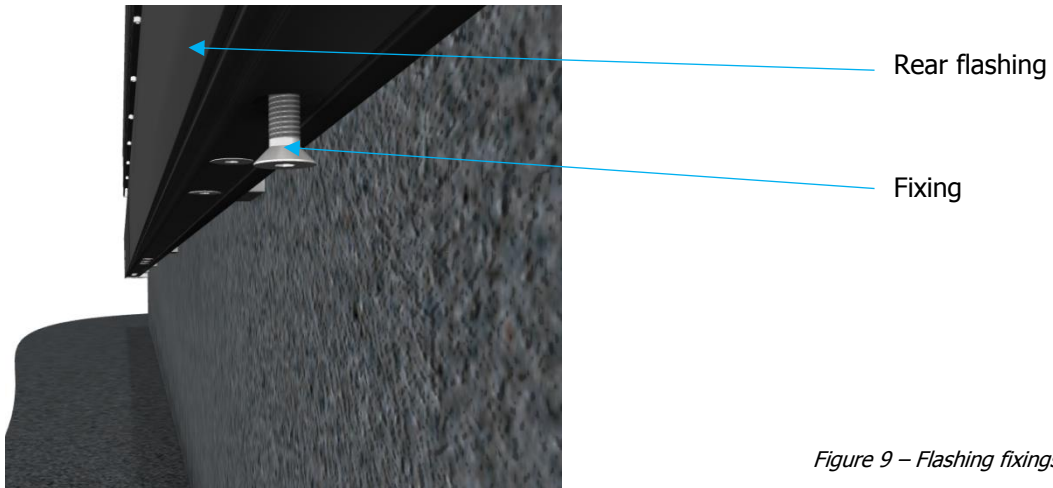


Figure 9 – Flashing fixings

17. Connect power and switch cables inside the building as per standard wiring detail. Open and close the rooflight to check for smooth operation at this stage. The control board settings are configured during manufacturing assembly (if adjustment is required any new settings must be logged and returned to Glazing Vision for our records).
18. Complete site QC documents.