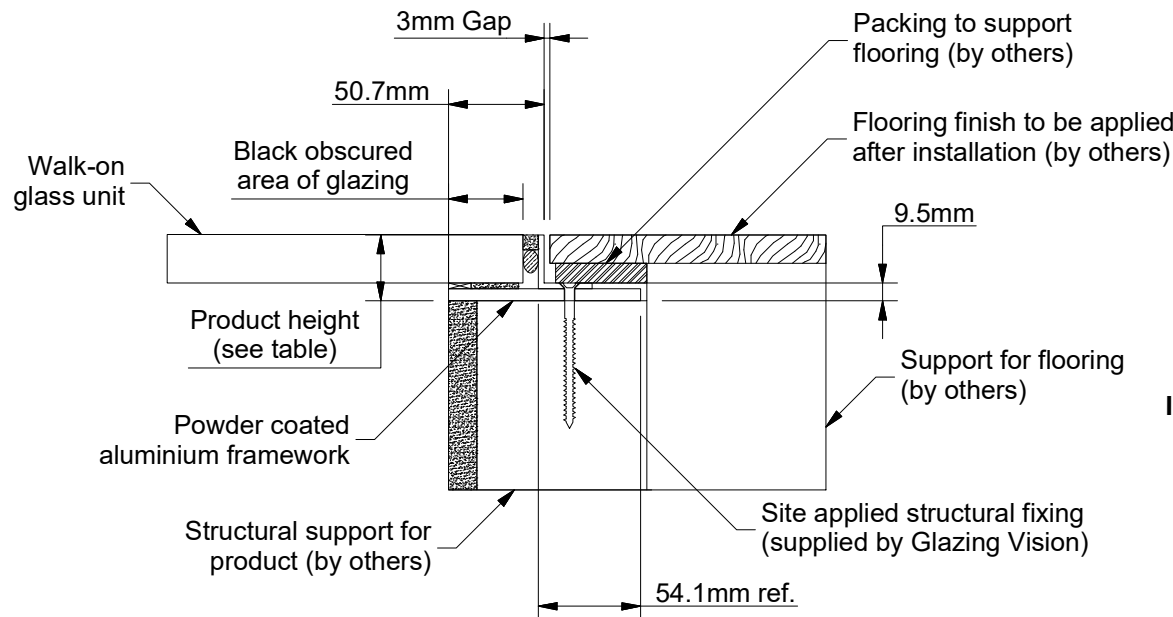
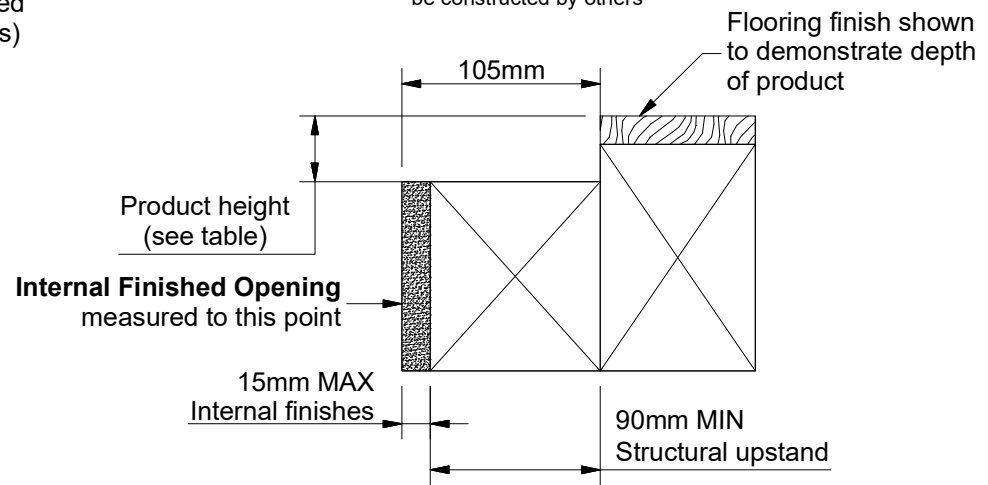


Product Height	
Glass Spec	Product Height
25.5 mm	35.0 mm
33.0 mm	44.5 mm
39.0 mm	51.0 mm

**Section ( Scale 1 : 4 )**  
Section through installation detail



**Section ( Scale 1 : 4 )**  
Upstand dimensions to be constructed by others



**GLAZING VISION**  
Saw Mills Road  
Diss  
Norfolk  
IP22 4RG  
Tel: +44 (0)333 8000 881  
Fax: +44 (0)333 8000 882  
Email: sales@glazing-vision.co.uk  
Website: www.glazing-vision.co.uk

IT IS GLAZING VISION'S POLICY TO CONTINUOUSLY DEVELOP AND IMPROVE OUR PRODUCTS. AND THEREFORE RESERVE THE RIGHT TO MODIFY OR CHANGE THE DETAIL DESIGN AT OUR DISCRETION AND WITHOUT PRIOR NOTICE. THIS DRAWING IS COPYRIGHT AND THE SOLE PROPERTY OF GLAZING VISION LTD. THE DESIGNS/INFORMATION IT CONTAINS ARE PRIVATE AND CONFIDENTIAL. IT MUST NOT BE COPIED, EXHIBITED OR COMMUNICATED TO THIRD PARTIES FOR ANY PURPOSE OTHER THAN THAT FOR WHICH IT WAS ISSUED WITHOUT THEIR WRITTEN PERMISSION.

Third angle projection unless otherwise noted.  
Tolerances:  
Whole numbers = ±1mm  
One decimal place = ±0.5mm  
Two decimal places = ±0.2mm  
Angular = ±0.5 degree  
**IF IN DOUBT - ASK! DO NOT SCALE**  
**Supplier to deburr & remove sharp corners**

Rev	Revision Description	Drawn/Date
D	Kerb section view clarified	JSL 28.03.18
E	Updated for redesign for bigger range of glass thicknesses	HL 28.11.19

<b>Product:</b> GV Standard Internal Walk-On		<b>Checked By:</b> JSL
<b>Description:</b> Internal Walk-On		
<b>Materials:</b> N/A	<b>Drawn By:</b> JamesB	<b>Check Date:</b> 28.11.19
<b>Finish:</b> N/A	<b>Drawn Date:</b> 19.04.12	
<b>Weight:</b> N/A		
<b>Quantity:</b> N/A		
<b>Scale:</b> N/A	<b>Drawing No:</b> 402-ASS-050	