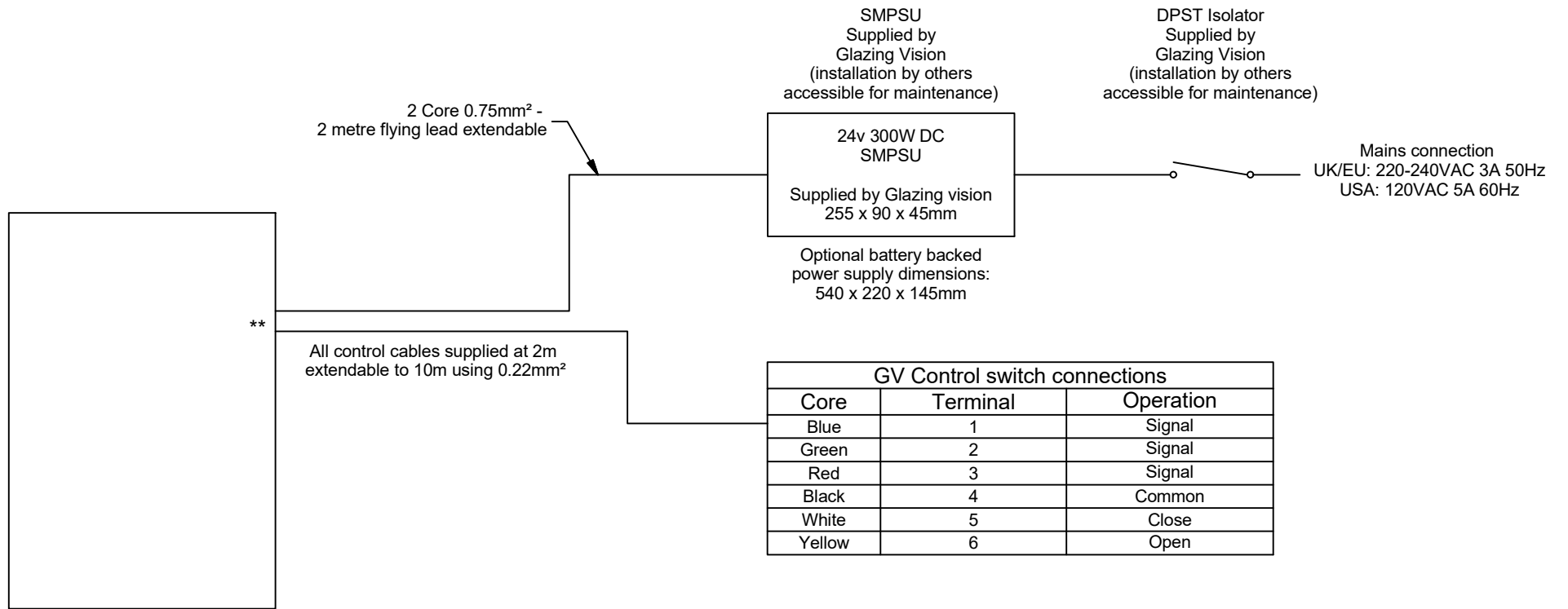


This is a fixed installation all connections should be carried out by a competent person.

A mains supply must be available on site when the unit is installed otherwise it may not be possible to fully commission the rooflight. Additional visits will incur additional charges.

The control switch must be installed for maintenance reasons even when connecting a BMS.



**Cable exit orientation.

- Free-standing box: from the underside, refer to following kerb drawing for detail exit position:607-ASS-002

- For 3 Wall boxes: Cable exits internally from the bottom corner at the side (on RH side if RH opening and LH side if LH opening)

All optional items must be specified at time of order

<p>Saw Mills Road Diss Norfolk IP22 4RG</p> <p>Tel: +44 (0)333 8000 881 Fax: +44 (0)333 8000 882 Email: sales@glazingvision.co.uk Website: www.glazingvision.co.uk</p>	<p>IT IS GLAZING VISION'S POLICY TO CONTINUOUSLY DEVELOP AND IMPROVE OUR PRODUCTS. WE THEREFORE RESERVE THE RIGHT TO MODIFY OR CHANGE THE DETAIL DESIGN AT OUR DISCRETION AND WITHOUT PRIOR NOTICE. THIS DRAWING IS COPYRIGHT AND THE SOLE PROPERTY OF GLAZING VISION LTD. THE DESIGNS/INFORMATION IT CONTAINS ARE PRIVATE AND CONFIDENTIAL. IT MUST NOT BE COPIED, EXHIBITED OR COMMUNICATED TO THIRD PARTIES FOR ANY PURPOSE OTHER THAN THAT FOR WHICH IT WAS ISSUED WITHOUT THE WRITTEN PERMISSION OF GLAZING VISION LTD.</p>	<p>Third angle projection unless otherwise noted. Tolerances: Whole numbers = ±1mm One decimal place = ±0.5mm Two decimal places = ±0.2mm All angles 90±0.5 degrees unless specified IF IN DOUBT - ASK! DO NOT SCALE Supplier to deburr & remove sharp corners</p>	Rev	Revision Description	Drawn/Date	Product: 607 - GV Standard Box Rooflight		Checked By:
			D	Note added for cable exit on three wall box & cable size changed from 0.5 to 0.22	SW 23.07.18	Description: GV Standard Box client wiring diagram		MM
			C	607-ASS-202 reference added for 3-wall box	JSL 17.01.18	Materials: N/A		Check Date: 23.07.18
						Finish: N/A		
						Weight: N/A		Drawn By: JamesB Drawn Date: 13.07.15
Scale: N/A		Drawing No: 607-ASS-013						