

Detail B (Scale 1 : 2)

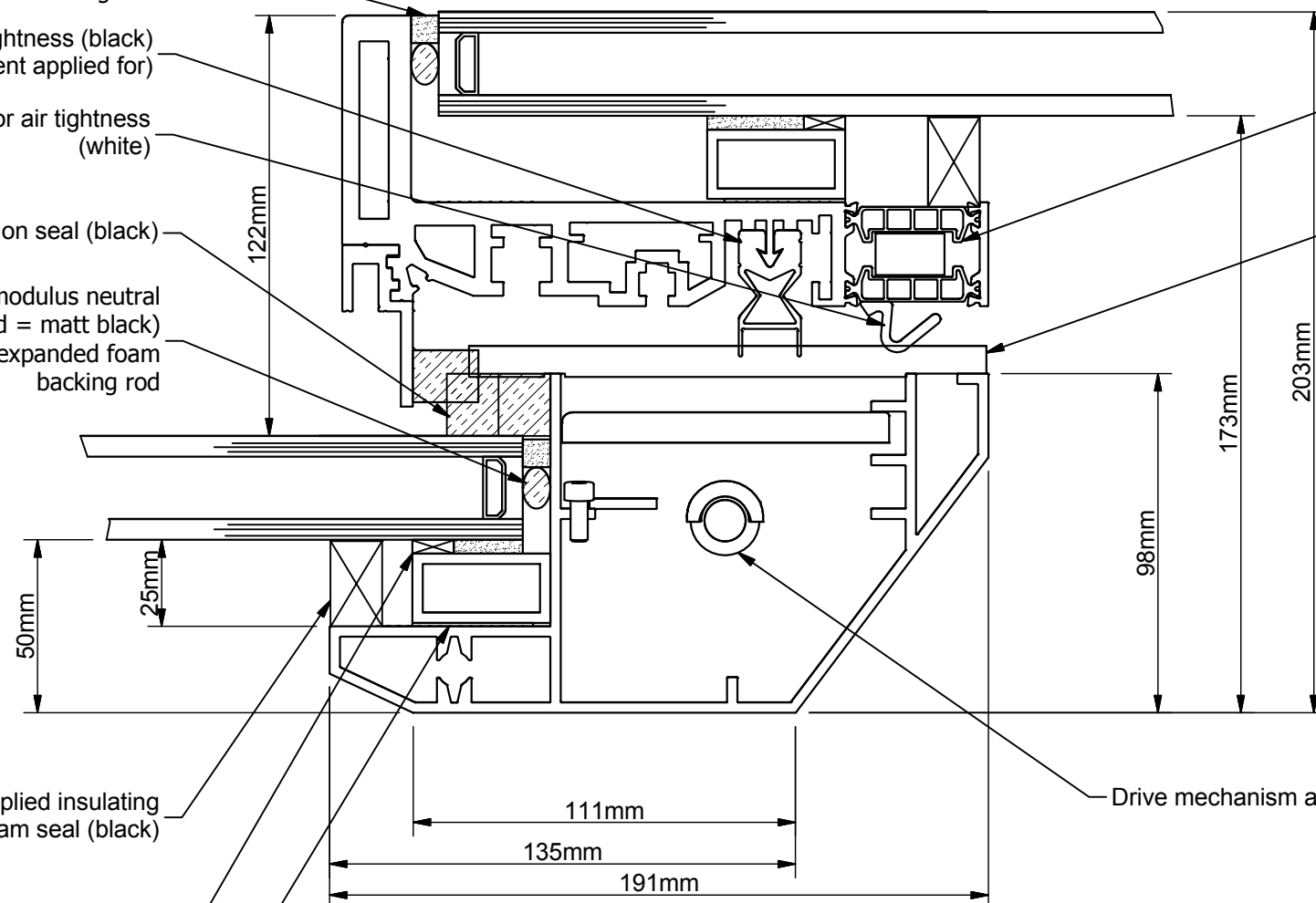
Factory applied low modulus neutral cure silicone (standard = matt black) with polyethylene expanded foam backing rod

Primary seal for air tightness (black) (Patent applied for)

Internal seal for air tightness (white)

Insulating compression seal (black)

Factory applied low modulus neutral cure silicone (standard = matt black) with polyethylene expanded foam backing rod



Factory applied insulating foam seal (black)

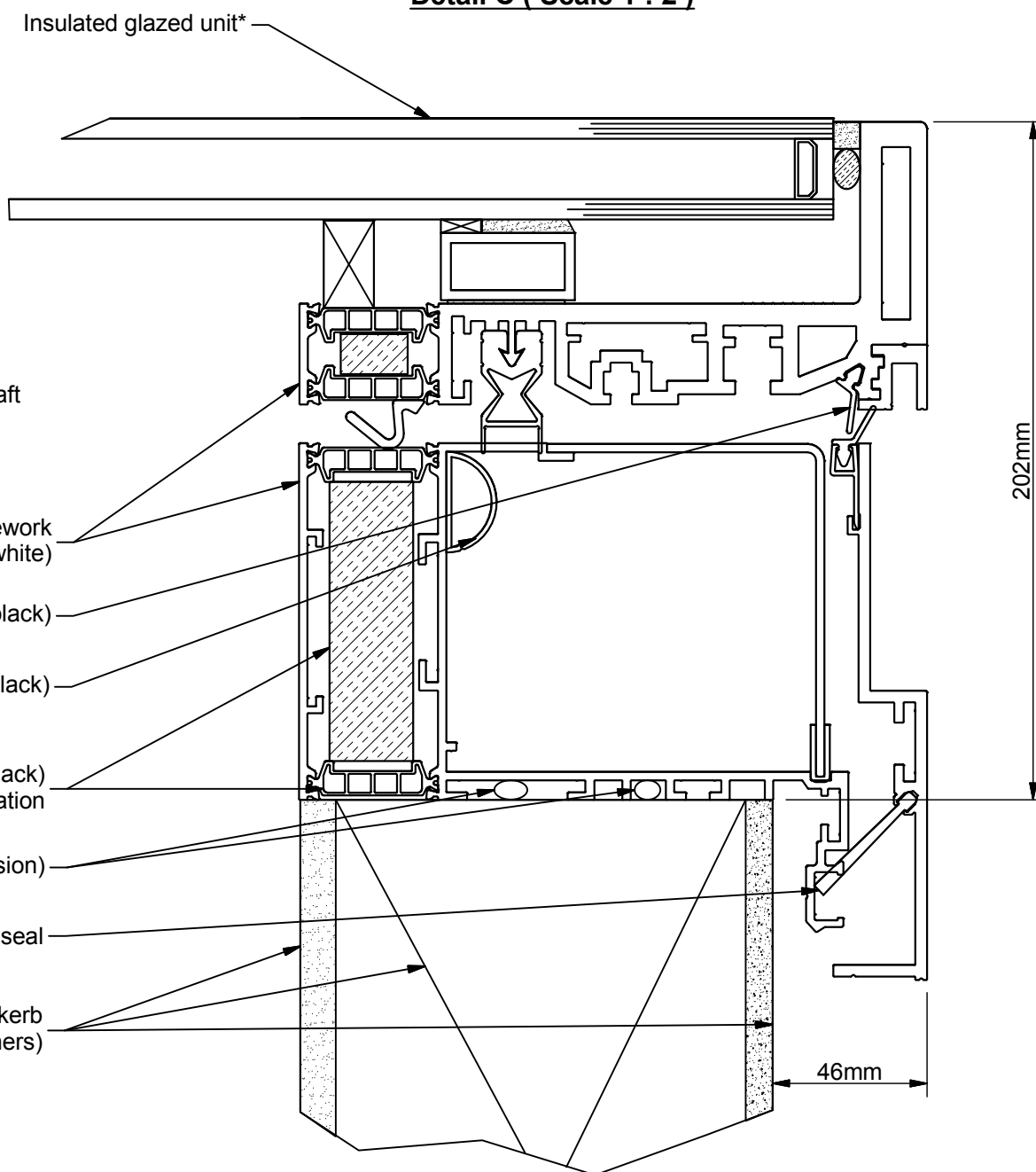
Factory applied structural glazing tape and adhesive

Factory installed structurally bonded aluminium box section

39mm Polyamide thermal breaks (Black) with factory applied PIR insulation

Cover plate (uPVC pure white)

Detail C (Scale 1 : 2)



Drive mechanism and cross shaft

Powder coated aluminium internal framework (Standard colour = RAL9010 Pure white)

Silicone seals with non-friction coating (black)

Cable trunking (black)

39mm Polyamide thermal breaks (black) with factory applied PIR insulation

Site applied silicone seal (supplied by Glazing Vision)

Brush seal

Fully weathered structural kerb and internal finishes (by others)

46mm

*Glazed unit specification dependant on client options and glazing area

Refer to 603-ASS-410 for additional framework information

<p>Saw Mills Road Diss Norfolk IP22 4RG</p> <p>Tel: +44 (0)333 8000 881 Fax: +44 (0)333 8000 882 Email: sales@glazingvision.co.uk Website: www.glazingvision.co.uk</p>	<p>IT IS GLAZING VISION'S POLICY TO CONTINUOUSLY DEVELOP AND IMPROVE OUR PRODUCTS. WE THEREFORE RESERVE THE RIGHT TO MODIFY OR CHANGE THE DETAIL DESIGN AT OUR DISCRETION AND WITHOUT PRIOR NOTICE. THIS DRAWING IS COPYRIGHT AND THE SOLE PROPERTY OF GLAZING VISION LTD. THE DESIGNS/INFORMATION IT CONTAINS ARE PRIVATE AND CONFIDENTIAL. IT MUST NOT BE COPIED, EXHIBITED OR COMMUNICATED TO THIRD PARTIES FOR ANY PURPOSE OTHER THAN THAT FOR WHICH IT WAS ISSUED WITHOUT THE WRITTEN PERMISSION OF GLAZING VISION LTD.</p>	<p>Third angle projection unless otherwise noted. Tolerances: Whole numbers = ±1mm One decimal place = ±0.5mm Two decimal places = ±0.2mm All angles 90±0.5 degrees unless specified IF IN DOUBT - ASK! DO NOT SCALE Supplier to deburr & remove sharp corners</p>	<p>Rev</p>	<p>Revision Description</p>	<p>Drawn/Date</p>	<p>Product: 603 - GV Standard Sliding Over Fixed Description: Detailed views B and C</p>	<p>Checked By: JamesB</p>
			<p>-</p>	<p>Initial release</p>	<p>PGW 13.03.2014</p>	<p>Materials: N/A Finish: Standard = RAL7015/RAL9010 Weight: N/A Quantity: N/A Scale: 1:10 & 1:2</p>	<p>Drawn By: PGW Drawn Date: 13.03.2014</p>