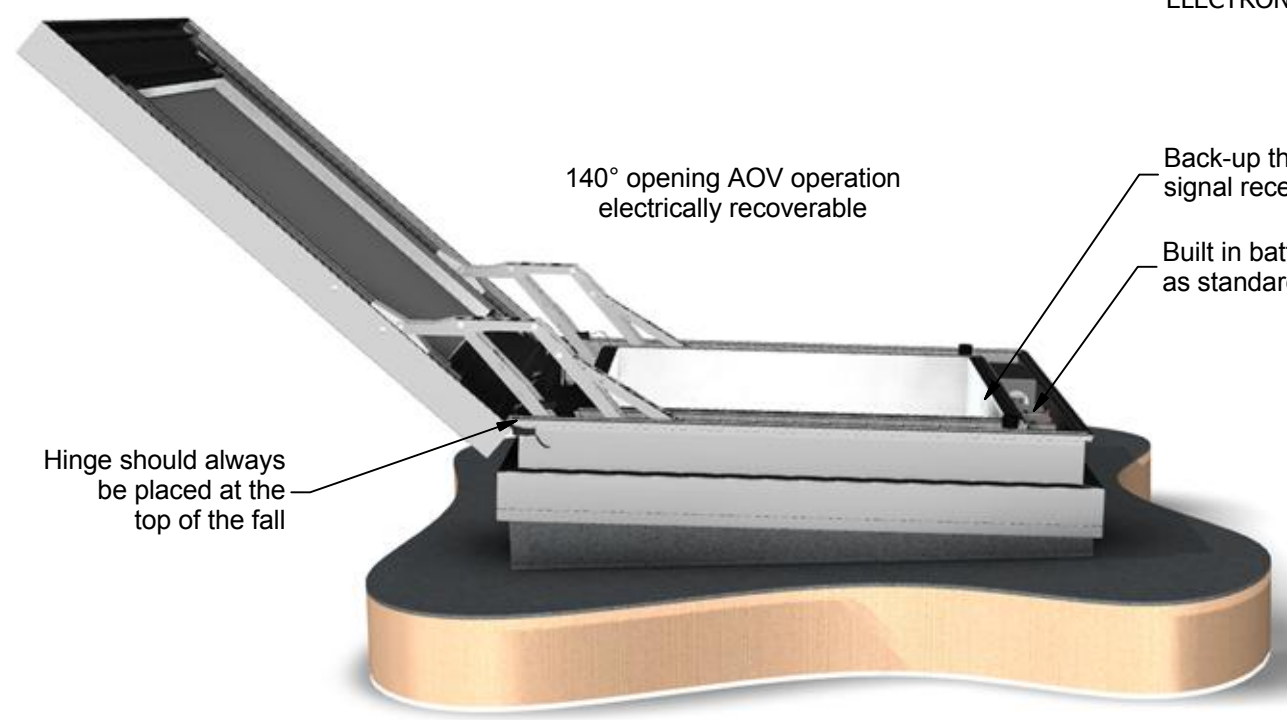


GV STANDARD X-VENT
ELECTRONICALLY OPERATED AOV HINGED ROOFLIGHT

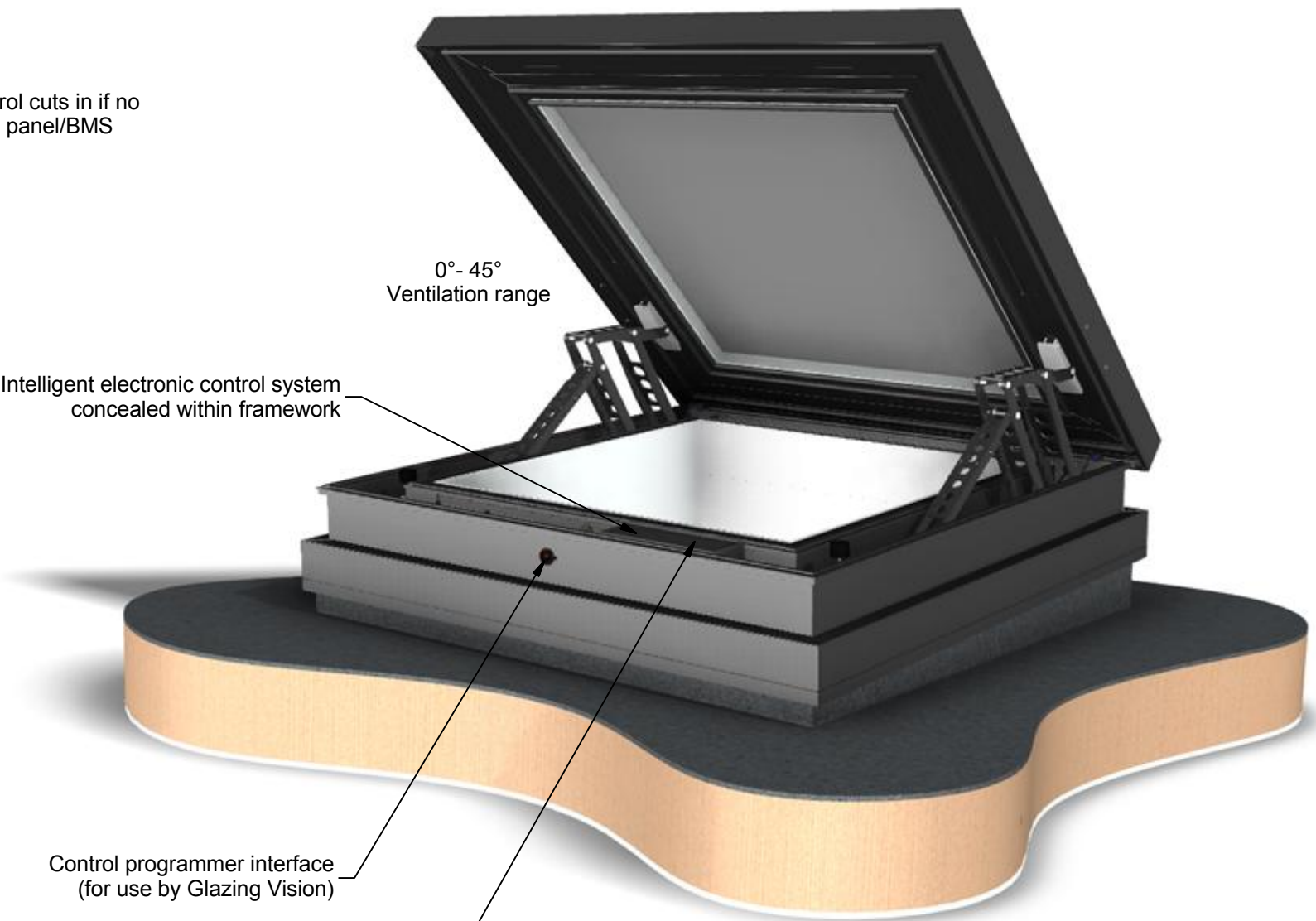


140° opening AOV operation electrically recoverable

Back-up thermistor control cuts in if no signal received from fire panel/BMS

Built in battery backup as standard

Hinge should always be placed at the top of the fall

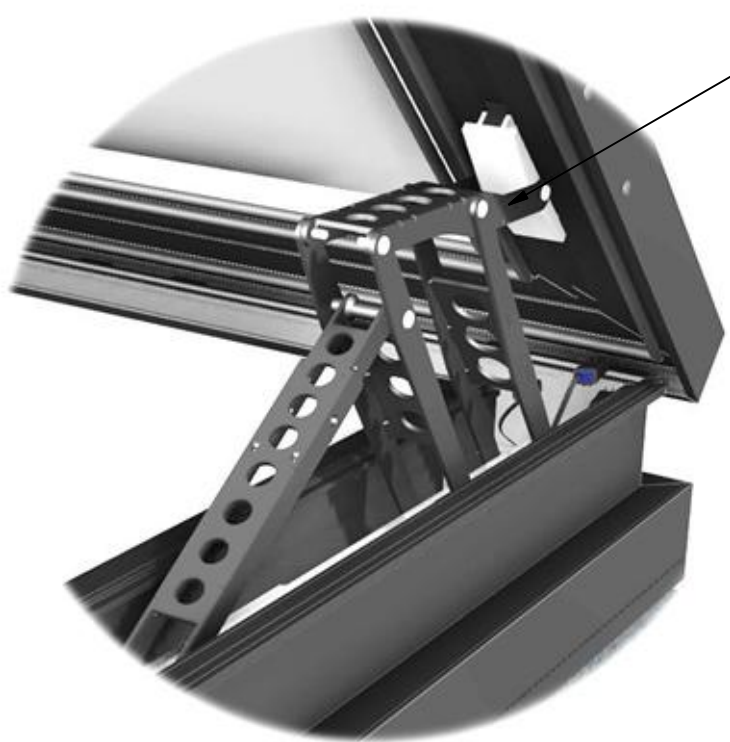


0° - 45° Ventilation range

Intelligent electronic control system concealed within framework

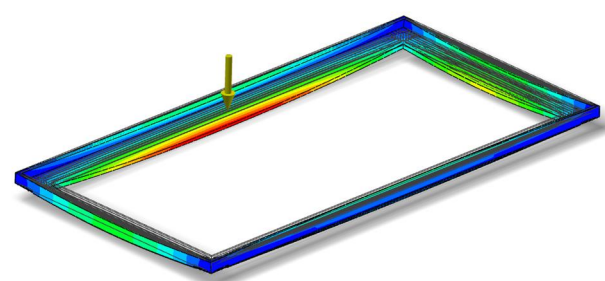
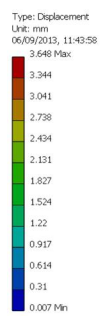
Control programmer interface (for use by Glazing Vision)

Standard connection to fire panels. Optional extra for connection to Building Management System (BMS)

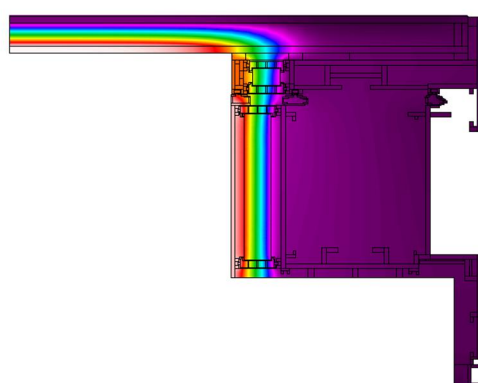


Synchronised electro-mechanical opening mechanisms offering clear front opening

FEA MODELLED FOR STRUCTURAL INTEGRITY



THERMALLY MODELLED FOR INDUSTRY LEADING EFFICIENCY



REQUIRES WEATHERED KERB (NOT SUPPLIED)
REFER TO DRAWINGS:
405-ASS-402
405-ASS-403
405-ASS-404
405-ASS-405
FOR DETAILS

GLAZING VISION
Saw Mills Road
Diss
Norfolk
IP22 4RG
Tel: +44 (0)333 8000 881
Fax: +44 (0)333 8000 882
Email: sales@glazingvision.co.uk
Website: www.glazingvision.co.uk

IT IS GLAZING VISION'S POLICY TO CONTINUOUSLY DEVELOP AND IMPROVE OUR PRODUCTS. WE THEREFORE RESERVE THE RIGHT TO MODIFY OR CHANGE THE DETAIL DESIGN AT OUR DISCRETION AND WITHOUT PRIOR NOTICE. THIS DRAWING IS COPYRIGHT AND THE SOLE PROPERTY OF GLAZING VISION LTD. THE DESIGNS/INFORMATION IT CONTAINS ARE PRIVATE AND CONFIDENTIAL. IT MUST NOT BE COPIED, EXHIBITED OR COMMUNICATED TO THIRD PARTIES FOR ANY PURPOSE OTHER THAN THAT FOR WHICH IT WAS ISSUED WITHOUT THE WRITTEN PERMISSION OF GLAZING VISION LTD.

Third angle projection unless otherwise noted.
Tolerances:
Whole numbers = ±1mm
One decimal place = ±0.5mm
Two decimal places = ±0.2mm
All angles 90±0.5 degrees unless specified
IF IN DOUBT - ASK! DO NOT SCALE
Supplier to deburr & remove sharp corners

Rev	Revision Description	Drawn/Date
-	Initial release	JWL 12.02.14

Product: 405 - GV Standard X-Vent		Checked By: PGW
Description: Product overview		
Materials: N/A	Drawn By: JWL	Check Date: 12.02.14
Finish: N/A	Drawn Date: 12.02.14	
Weight: N/A	Quantity: N/A	
Scale: NTS	Drawing No: 405-ASS-401	