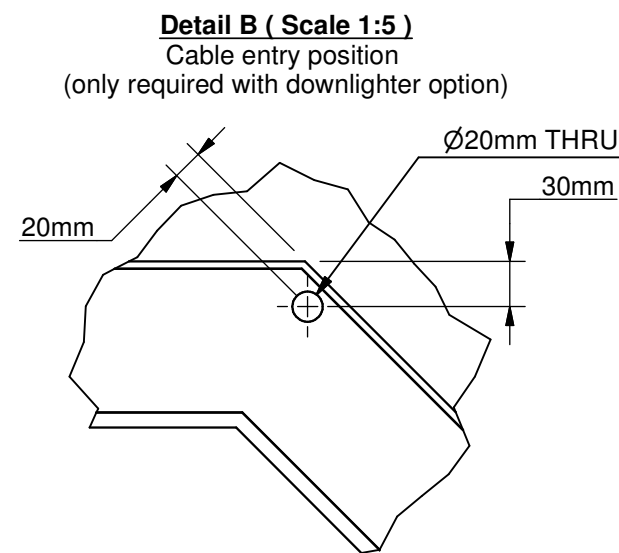
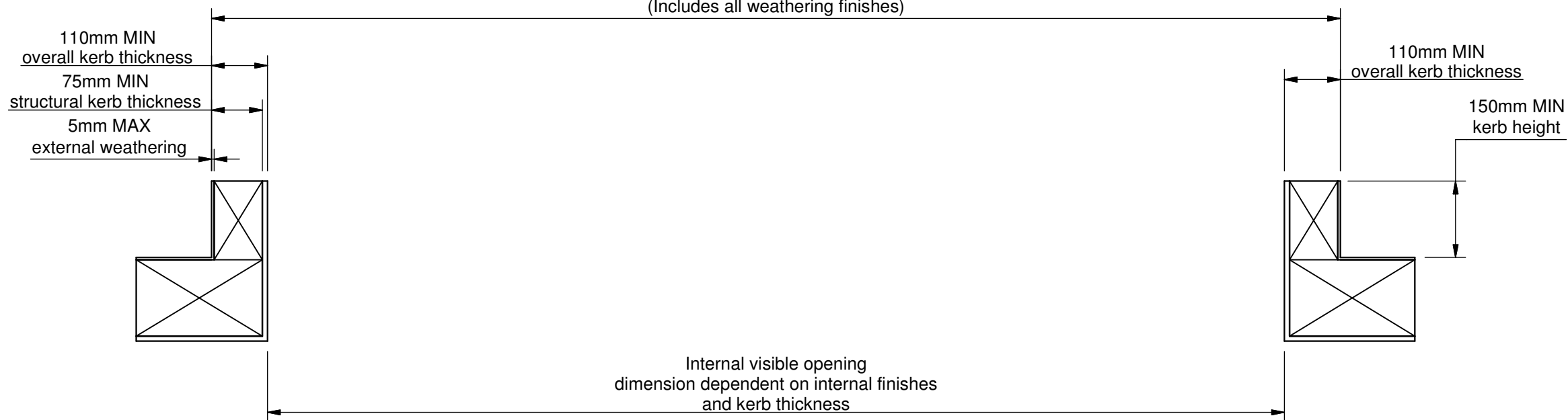


**Section A-A ( Scale 1 : 10 )**  
**Kerb Span**  
Critical dimension - Customer to specify  
(Includes all weathering finishes)



Rev	Revision Description	Drawn/Date
-	Initial release	JWL 14.03.14
A	Cable entry position revised	DR 19.05.15

<b>Product:</b> 404 - GV Standard Octagonal Pyramid	<b>Checked By:</b> JWL
<b>Description:</b> Octagonal kerb detail	<b>Check Date:</b> 19.05.15
<b>Materials:</b> N/A	<b>Drawn By:</b> JWL
<b>Finish:</b> N/A	<b>Drawn Date:</b> 14.03.14
<b>Weight:</b> N/A	<b>Quantity:</b> N/A
<b>Scale:</b> 1:25 1:10 1:5	<b>Drawing No:</b> 404-ASS-410