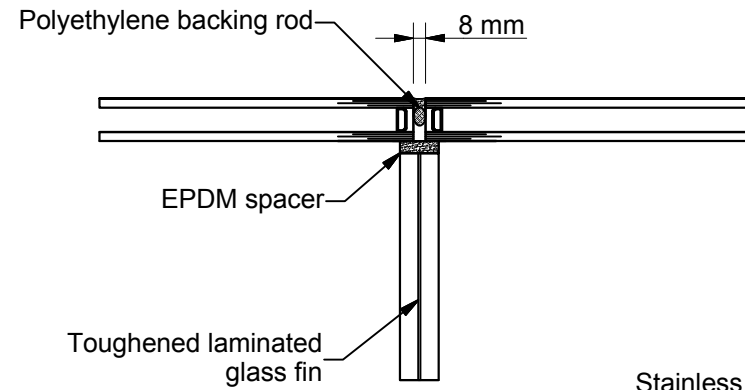
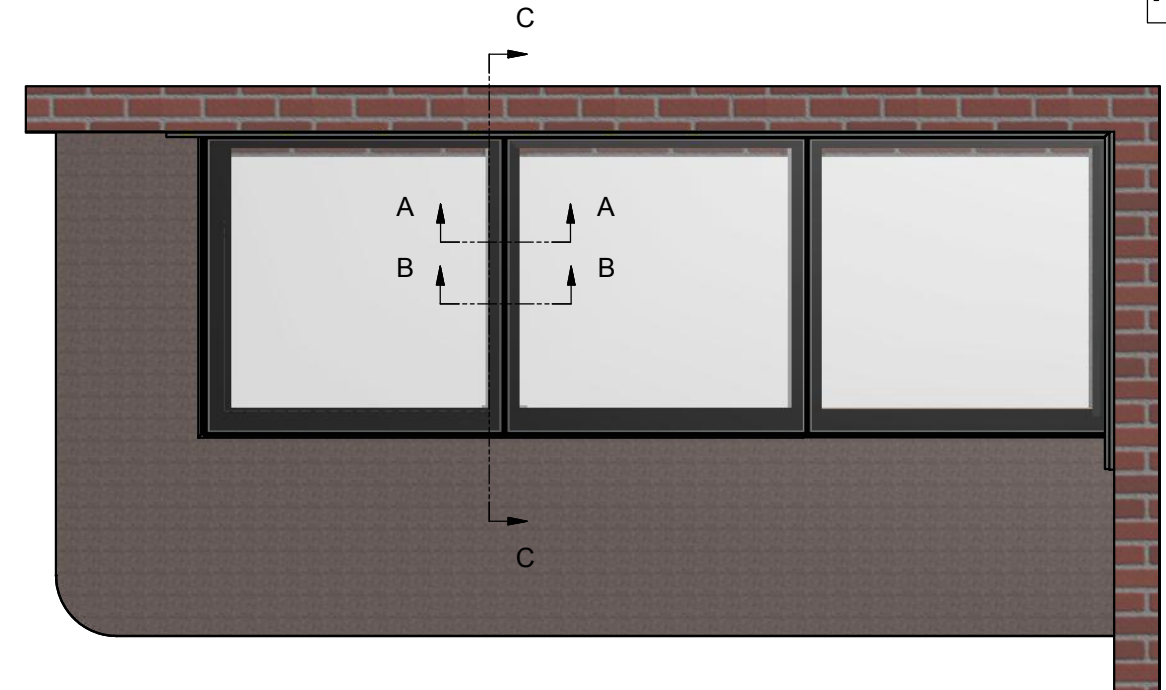
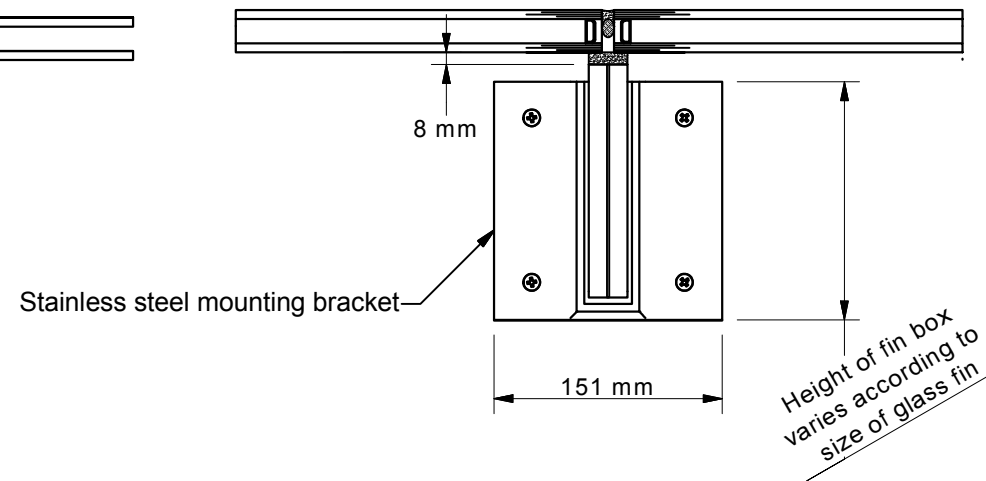


Section A-A (Scale 1 : 5)



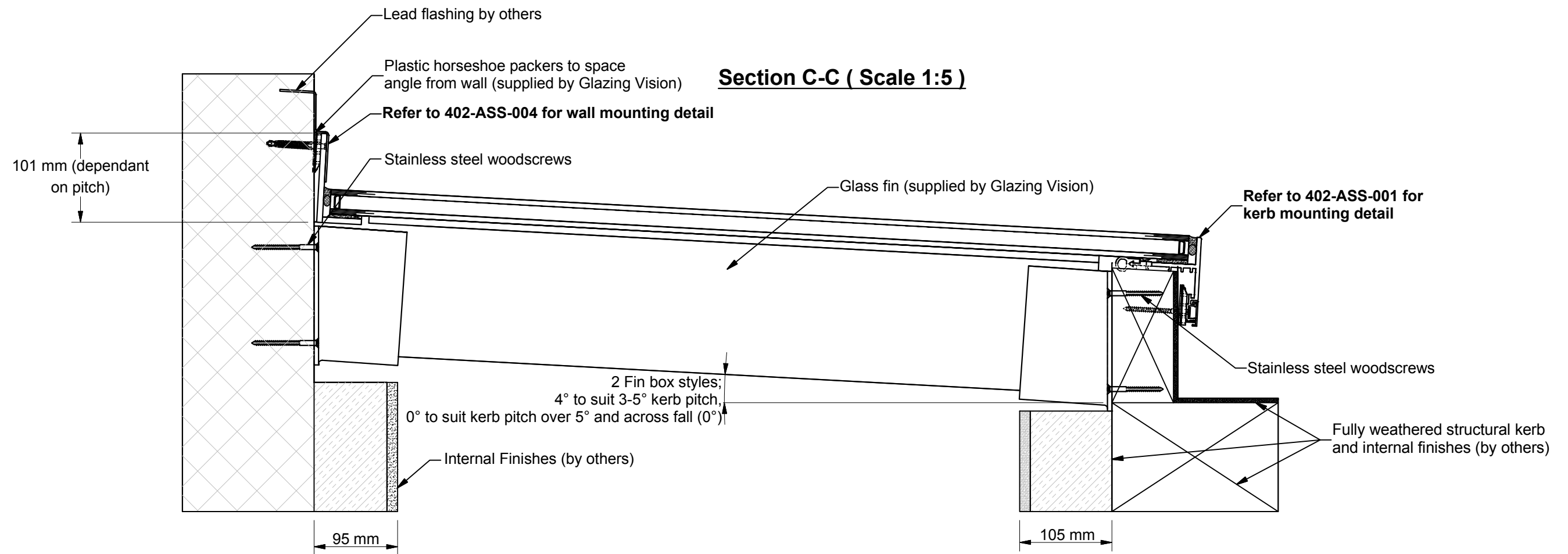
Section B-B (Scale 1 : 5)

Showing mounting bracket



Note: This is a standard reference drawing which includes both wall and kerb mounting details to illustrate the possible configurations for the flushglaze range. It is not an order specific drawing and therefore does not reflect your specific order dimensions or configuration. Ensure you check your order confirmation meets the specifics of your order before signing.

Section C-C (Scale 1:5)



Rev	Revision Description	Drawn/Date
F	Wall abutment detail changed from clip-on to angled detail.	JWL 07.07.15

Product: 402-Flushglaze		Checked By: JB
Description: Double glazed Flushglaze glass fin detail		
Materials: As above		Check Date: 07.07.15
Finish: N/A	Drawn By: JWL	
Weight: N/A	Drawn Date: 07.07.15	
Quantity: N/A	Drawing No: 402-ASS-014	
Scale: 1:5 1:25		