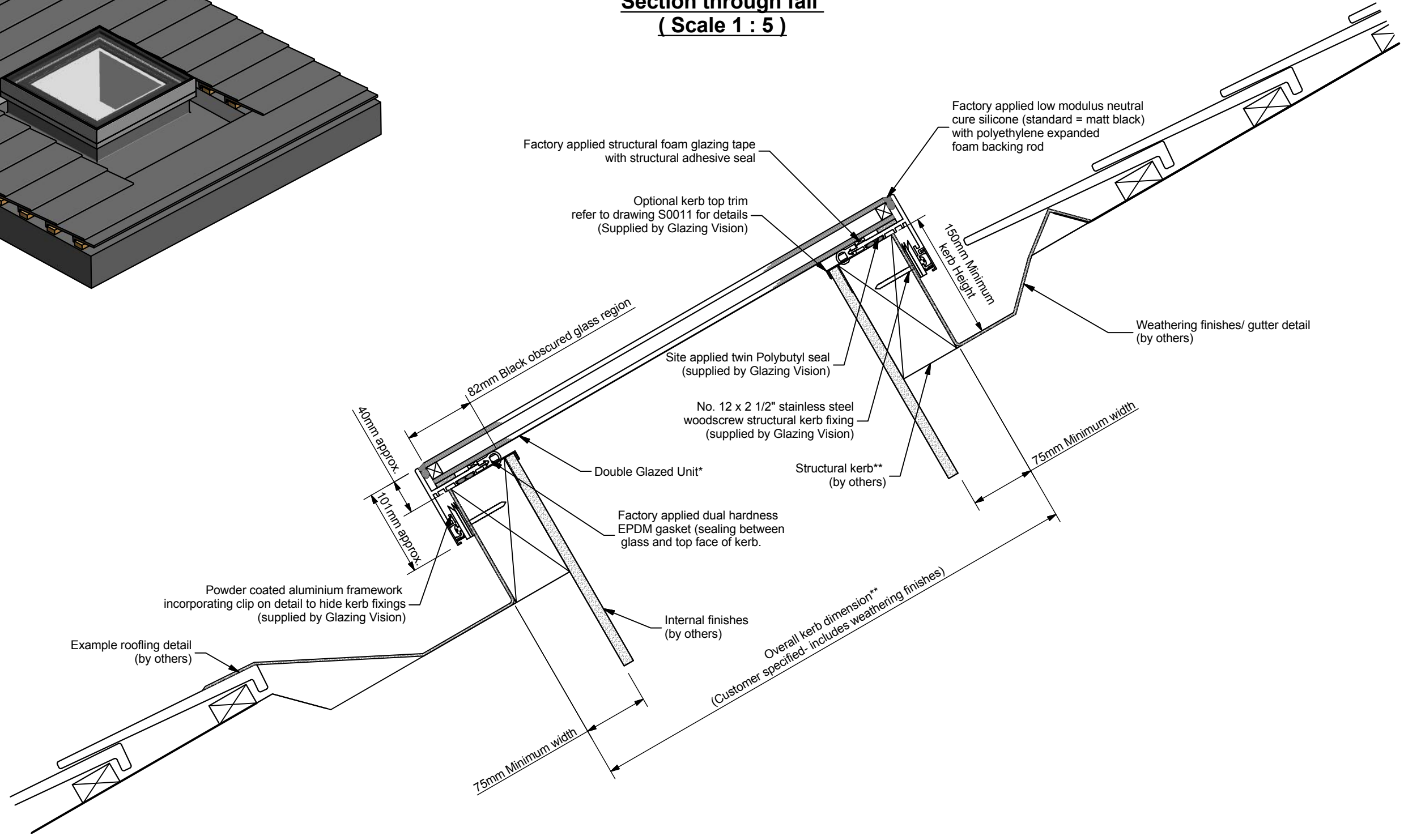
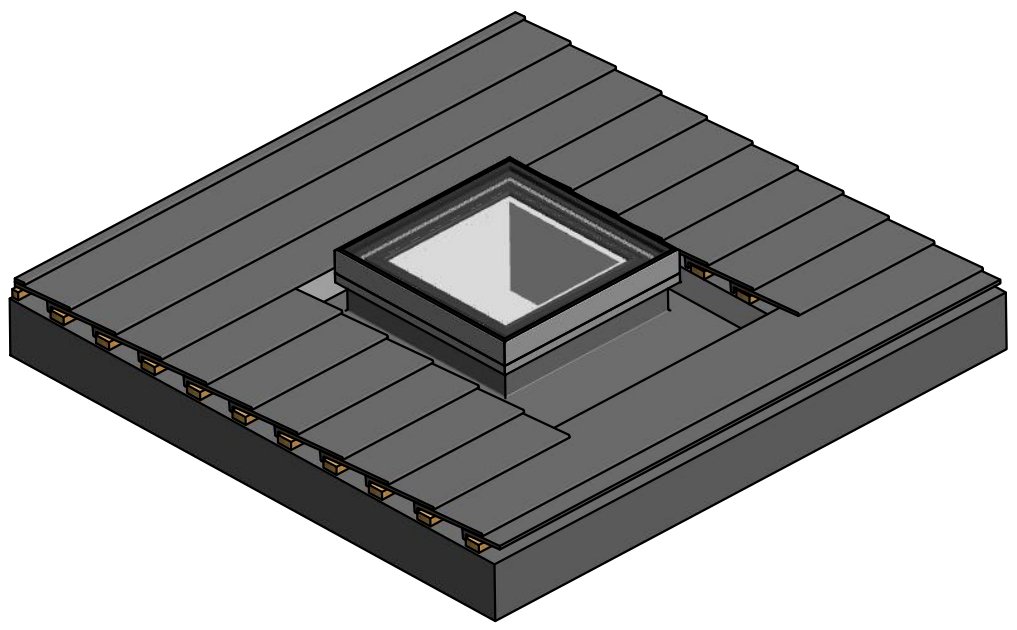


**Section through fall
(Scale 1 : 5)**



**Refer to drawings 402-ASS-001 and S0009 for kerb details

* Standard double glazed unit:
6mm clear toughened outer pane
16mm Silicone sealed Argon filled cavity with warm edge spacer
6mm Clear toughened soft coat low E

Rev	Revision Description	Drawn/Date	Product: GV Standard Flushglaze	Checked By:
F	Lead detail revised	AA 11.06.13	Description: Pitched Flushglaze Head Detail	Check Date:
E	Redrawn with new extrusion	AA 10.09.12	Materials: N/A Finish: N/A Weight: N/A Quantity: N/A Scale: N/A	
			Drawn By: JamesB Drawn Date: 19.10.11	Drawing No: 402-ASS-013