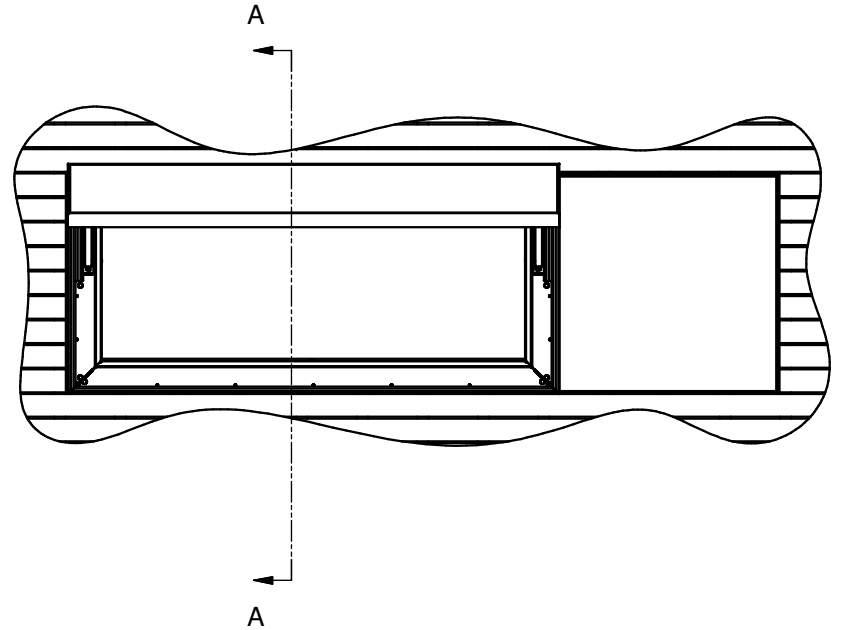


Balustrading or handrails can be secured to deck structure around skylight to assist with access (by others)

Timber deck structure; open jointed and free draining to roof structure below. Shown as example other finishes possible (by others)

Fully weathered roof structure (by others)

Stairs to roof with top landing (by others)



**Section A-A ( Scale 1:10 @ A3 )**

Various glazing specifications available. Including opaque finishes, easy clean and solar control specifications as optional extras

Exterior framework finished in RAL7015 Slate grey as standard other colours available as an optional extra

100 mm [4 in] MIN clearance needed at hinging end

175 mm [7 in]

Internal framework finished in RAL9010 White as standard other colours available as an optional extra

Max landing/top stair height to allow maintenance access

Internal opening Dependant on internal finishes and upstand thickness

Polyester powder coated tread plate with anti slip surface detail. Incorporating light beam proximity detection

197 mm [8 in]

180 mm [7 in]

Height 2 raised level to facilitate access and decorative finishes Timber decking or slabs with suitable drainage. To be applied following skylight installation (by others)

Height 2

Height 1

**GLAZINGVISION**

**UK Office**  
Sawmills Road  
Diss  
Norfolk  
IP22 4RG  
Tel: +44 (0)1379 658300  
Email: sales@glazingvision.co.uk  
Website: www.glazingvision.co.uk

**USA Office**  
201 Locust Street  
Hartford  
Connecticut  
06114  
Tel: +1 860 206 8111  
Email: sales@glazingvision.com  
Website: www.glazingvision.com

IT IS GLAZING VISION'S POLICY TO CONTINUOUSLY DEVELOP AND IMPROVE OUR PRODUCTS. WE THEREFORE RESERVE THE RIGHT TO MODIFY OR CHANGE THE DETAIL DESIGN AT OUR DISCRETION AND WITHOUT PRIOR NOTICE. THIS DRAWING IS COPYRIGHT AND THE SOLE PROPERTY OF GLAZING VISION LTD. THE DESIGNS/INFORMATION IT CONTAINS ARE PRIVATE AND CONFIDENTIAL. IT MUST NOT BE COPIED, EXHIBITED OR COMMUNICATED TO THIRD PARTIES FOR ANY PURPOSE OTHER THAN THAT FOR WHICH IT WAS ISSUED WITHOUT THE WRITTEN PERMISSION OF GLAZING VISION LTD.

Rev	Revision Description	Drawn/Date
A	Drawing Border Revision	ALS 09/01/2019
-	Initial Release	JWL 12/02/2014

<b>Product:</b> 406 GV Standard Integrated Skydoor	<b>Checked By:</b> ARH
<b>Description:</b> Example Finishing Details	<b>Check Date:</b> 09/01/2019
<b>Materials:</b> N/A	<b>Drawn By:</b> JWL
<b>Finish:</b> N/A	<b>Drawn Date:</b> 12/02/2014
<b>Weight:</b> N/A	<b>Quantity:</b> N/A
<b>Quantity:</b> N/A	<b>Scale:</b> Do Not Scale
<b>Drawing No:</b> 406-ASS-412	