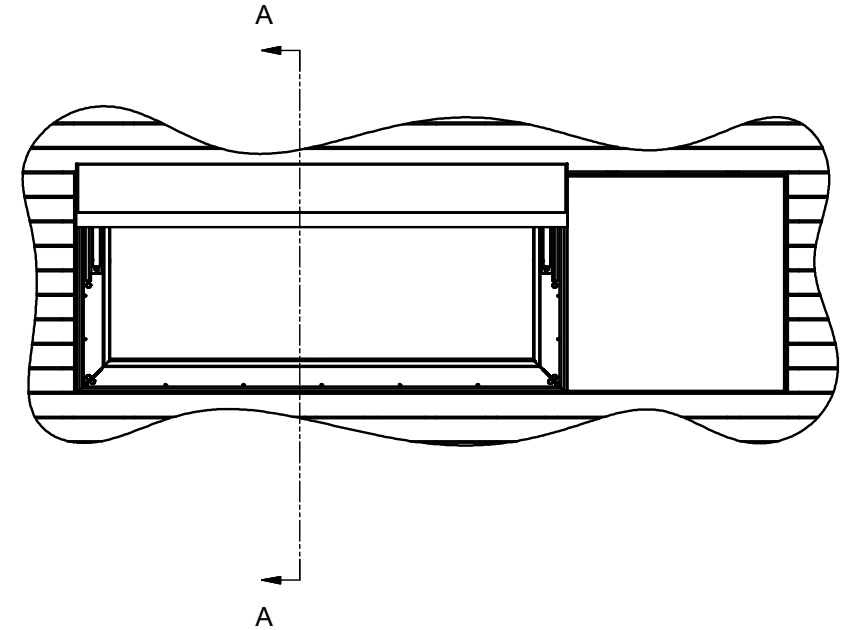


Balustrading or handrails can be secured to deck structure around rooflight to assist with access (by others)
 Timber deck structure; open jointed and free draining to roof structure below. Shown as example other finishes possible (by others)

Fully weathered roof structure (by others)

Stairs to roof with top landing (by others)



Section A-A (Scale 1:10)

Polyester powder coated aluminium tread plate with anti slip surface detail. Incorporating light beam proximity detection

Height 2 raised level to facilitate access and decorative finishes Timber decking or slabs with suitable drainage. To be applied following rooflight installation (by others)

Height 2

Height 1

Internal framework finished in RAL9010 White as standard other colours available as an optional extra

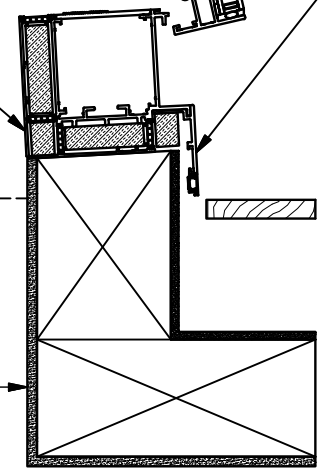
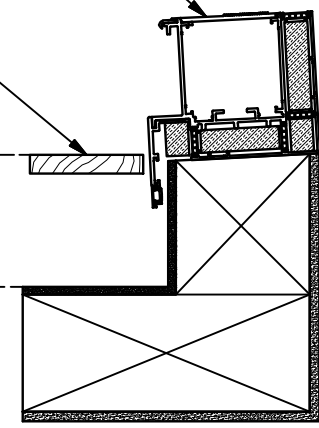
Max landing/top stair height to allow maintenance access

Internal opening Dependant on internal finishes and kerb thickness

Various glazing specifications available. Including opaque finishes, easy clean and solar control specifications as optional extras

Exterior framework finished in RAL7015 Slate grey as standard other colours available as an optional extra

175.0



Rev	Revision Description	Drawn/Date
-	Initial release	JWL 12.02.14

Product: 406 GV Standard Integrated Skydoor		Checked By: PGW
Description: Example finishing details		
Materials: N/A	Drawn By: JWL	Check Date: 12.02.14
Finish: N/A	Drawn Date: 12.02.14	
Weight: N/A	Drawing No: 406-ASS-412	
Quantity: N/A		
Scale: 1:10 1:50		