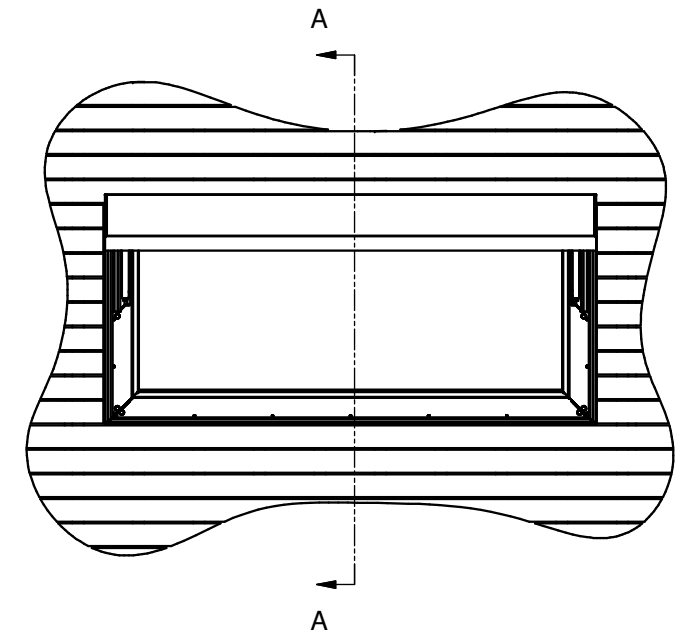


Balustrading or handrails can be secured to deck structure around skylight to assist with access (by others)

Timber deck structure; open jointed and free draining to roof structure below. Shown as example other finishes possible (by others)

Fully weathered roof structure (by others)

Stairs to roof with top landing (by others)



Section A-A (Scale 1:10 @ A3)

Along fall

Various glazing specifications available on request. Including opaque finishes, easy clean and solar control specifications as optional extras

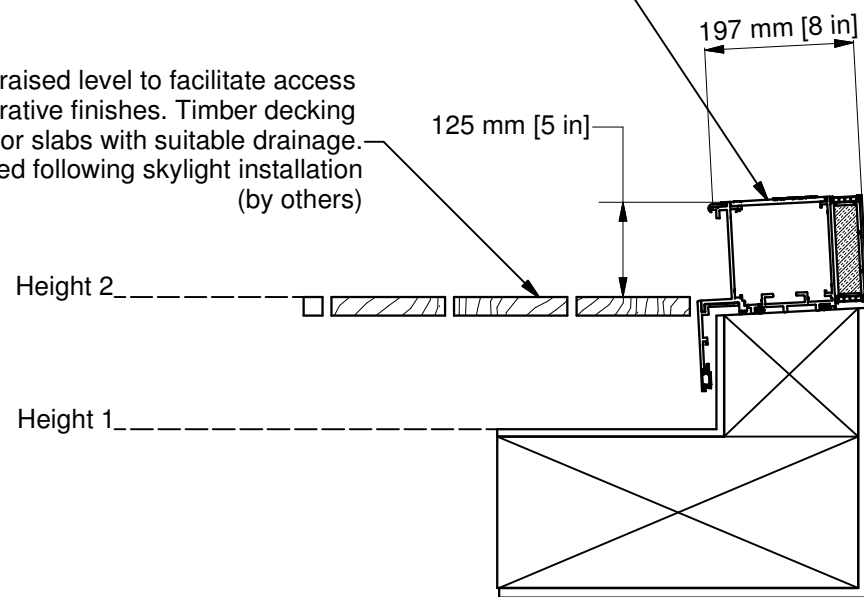
Polyester powder coated tread plate with anti slip surface detail. Incorporating light beam proximity detection

Internal framework finished in RAL9010 White as standard other colours available as an optional extra

Exterior framework finished in RAL7015 Slate grey as standard other colours available as an optional extra

Height 2 raised level to facilitate access and decorative finishes. Timber decking or slabs with suitable drainage. To be applied following skylight installation (by others)

100 mm [4 in] MIN clearance needed at hinging end



Max landing/top stair height to allow maintenance access

Internal opening Dependent on internal finishes and upstand thickness

Ceiling structure and finishes (by others)

GLAZINGVISION

UK Office
Sawmills Road
Diss
Norfolk
IP22 4RG
Tel: +44 (0)1379 658300
Email: sales@glazingvision.co.uk
Website: www.glazingvision.co.uk

USA Office
201 Locust Street
Hartford
Connecticut
06114
Tel: +1 860 206 8111
Email: sales@glazingvision.com
Website: www.glazingvision.com

IT IS GLAZING VISION'S POLICY TO CONTINUOUSLY DEVELOP AND IMPROVE OUR PRODUCTS. WE THEREFORE RESERVE THE RIGHT TO MODIFY OR CHANGE THE DETAIL DESIGN AT OUR DISCRETION AND WITHOUT PRIOR NOTICE. THIS DRAWING IS COPYRIGHT AND THE SOLE PROPERTY OF GLAZING VISION LTD. THE DESIGNS/INFORMATION IT CONTAINS ARE PRIVATE AND CONFIDENTIAL. IT MUST NOT BE COPIED, EXHIBITED OR COMMUNICATED TO THIRD PARTIES FOR ANY PURPOSE OTHER THAN THAT FOR WHICH IT WAS ISSUED WITHOUT THE WRITTEN PERMISSION OF GLAZING VISION LTD.

Rev	Revision Description	Drawn/Date	Product: 406 GV Standard Skydoor	Checked By:
B	Drawing Border Revised	ALS 09/01/2019	Description: Example Finishing Details	ARH
A	Clearance Dimension Added to Hinging end	JWL 16/06/2016	Materials: N/A Finish: N/A Weight: N/A Quantity: N/A Scale: Do Not Scale	Check Date: 09/01/2019
			Drawn By: JWL Drawn Date: 12/02/2014 Drawing No: 406-ASS-406	