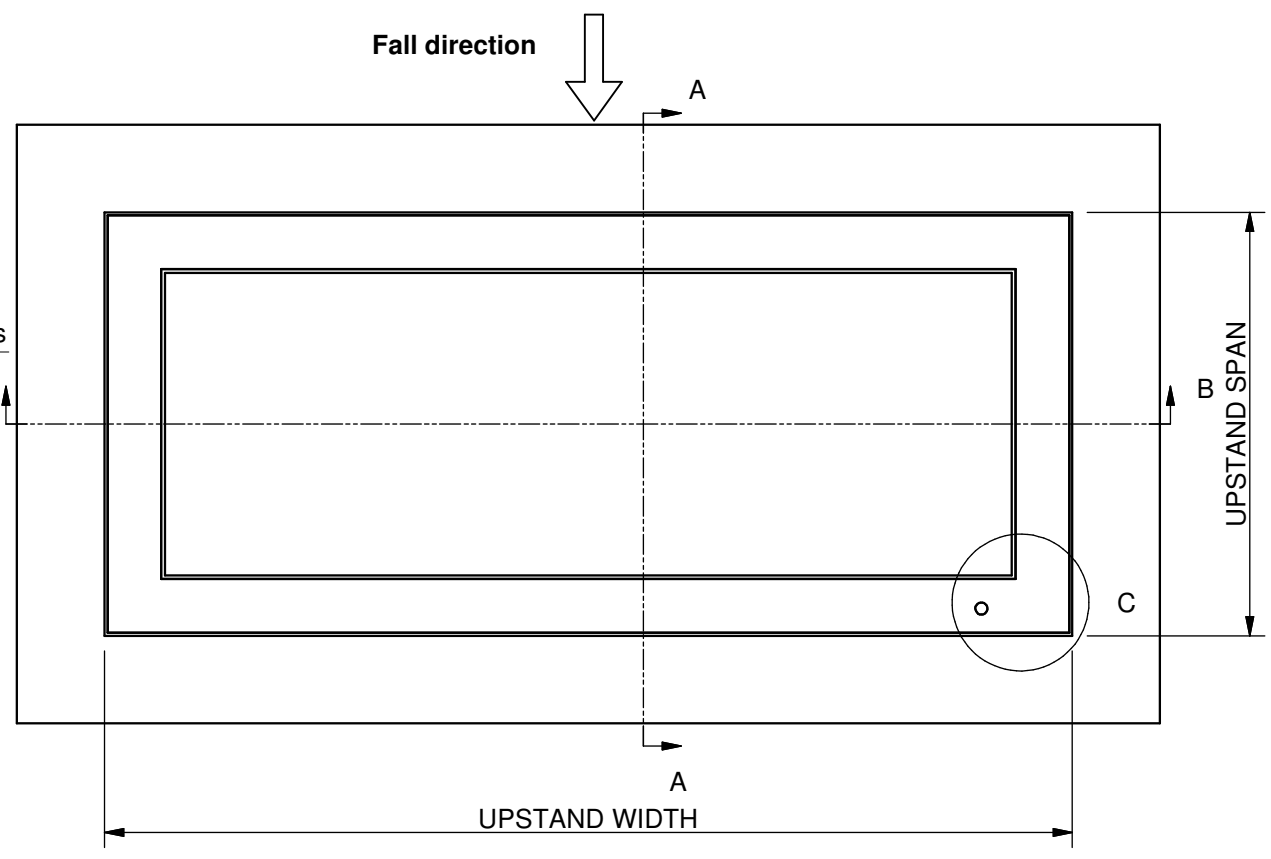
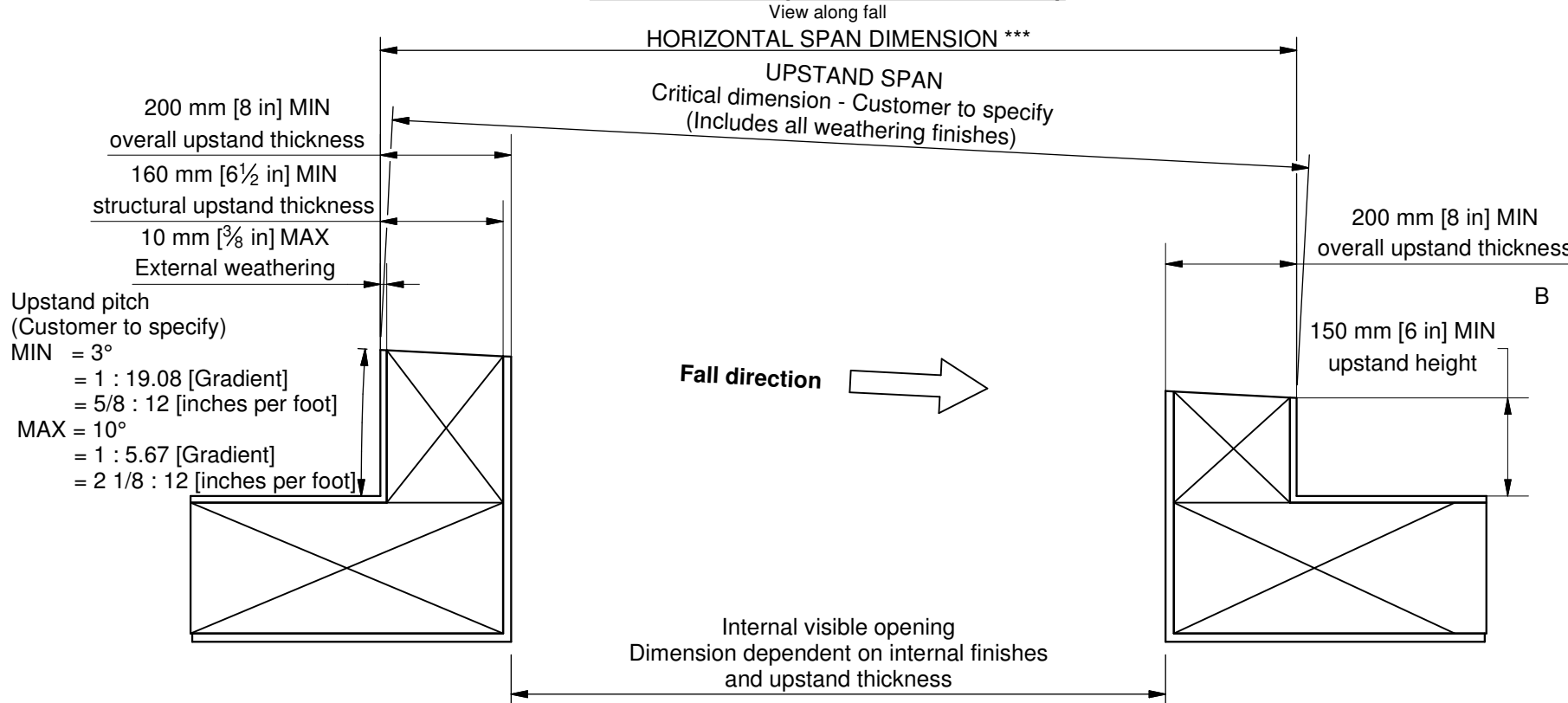
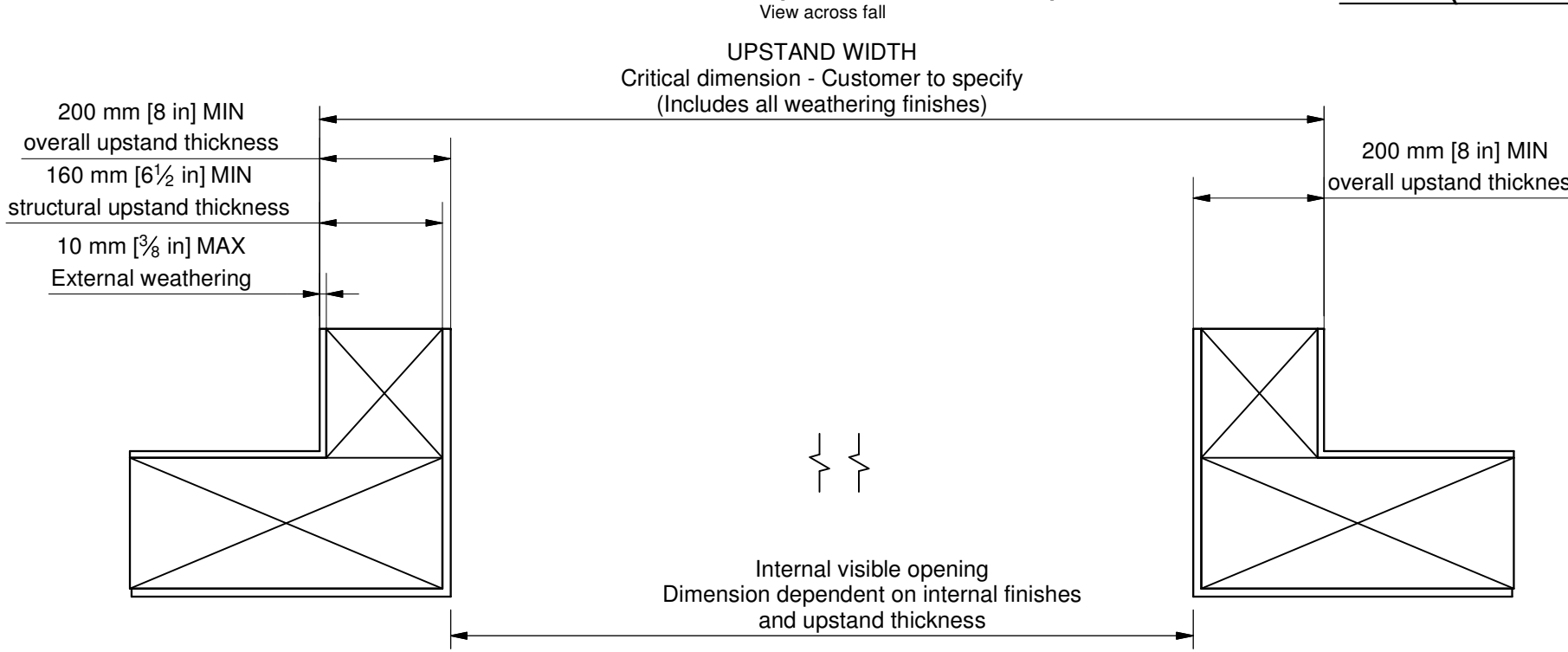


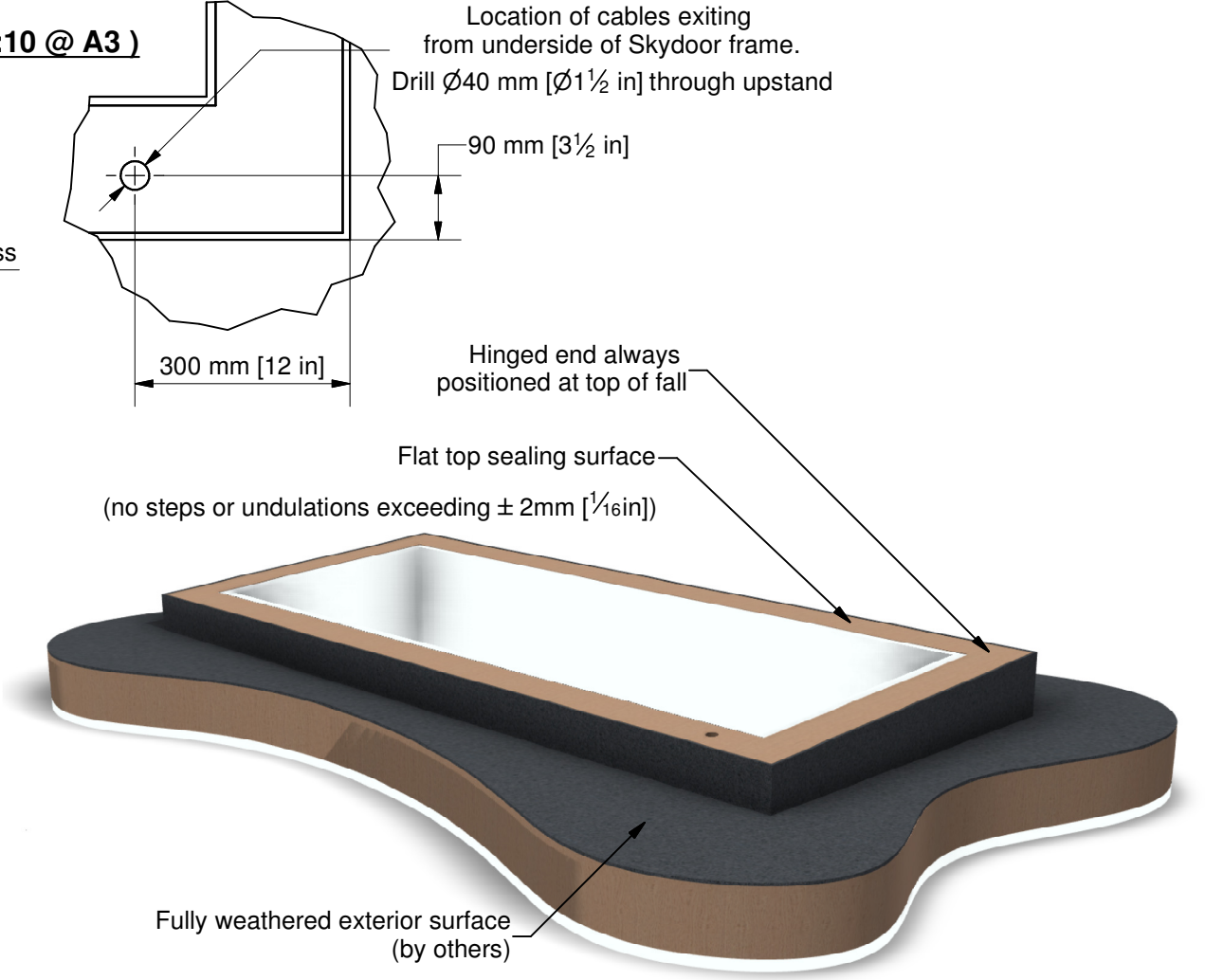
Section A-A (Scale 1:10 @ A3)



Section B-B (Scale 1:10 @ A3)



Detail C (Scale 1:10 @ A3)



** Dimension calculated as:
 $SLOPED\ SPAN \times \cos(PITCH^\circ) = HORIZONTAL\ SPAN$
 e.g. $2000\cos(3) = 1997\text{mm}$
 or alternatively,
 $SLOPED\ SPAN / ROOF\ PITCH\ MULTIPLIER = HORIZONTAL\ SPAN$
 where $ROOF\ PITCH\ MULTIPLIER = \sqrt{((rise/run)^2 + 1)}$
 e.g. $78" SLOPED\ SPAN / \sqrt{((5/8" / 12")^2 + 1)} = 77\ 7/8" HORIZONTAL\ SPAN$

GLAZINGVISION

UK Office
 Sawmills Road
 Diss
 Norfolk
 IP22 4RG
 Tel: +44 (0)1379 658300
 Email: sales@glazingvision.co.uk
 Website: www.glazingvision.co.uk

USA Office
 201 Locust Street
 Hartford
 Connecticut
 06114
 Tel: +1 860 206 8111
 Email: sales@glazingvision.com
 Website: www.glazingvision.com

IT IS GLAZING VISION'S POLICY TO CONTINUOUSLY DEVELOP AND IMPROVE OUR PRODUCTS. WE THEREFORE RESERVE THE RIGHT TO MODIFY OR CHANGE THE DETAIL DESIGN AT OUR DISCRETION AND WITHOUT PRIOR NOTICE. THIS DRAWING IS COPYRIGHT AND THE SOLE PROPERTY OF GLAZING VISION LTD. THE DESIGNS/INFORMATION IT CONTAINS ARE PRIVATE AND CONFIDENTIAL. IT MUST NOT BE COPIED, EXHIBITED OR COMMUNICATED TO THIRD PARTIES FOR ANY PURPOSE OTHER THAN THAT FOR WHICH IT WAS ISSUED WITHOUT THE WRITTEN PERMISSION OF GLAZING VISION LTD.

Rev	Revision Description	Drawn/Date	Product: 406 GV Standard Skydoor Description: Upstand Detail	Checked By: ARH
A	Drawing Border Revised	ALS 08/01/2019	Materials: N/A	Check Date: 09/01/2019
-	Initial Release	JWL 12/02/2014	Finish: N/A Weight: N/A Quantity: N/A Scale: Do Not Scale	Drawn By: JWL Drawn Date: 12/02/2014 Drawing No: 406-ASS-405