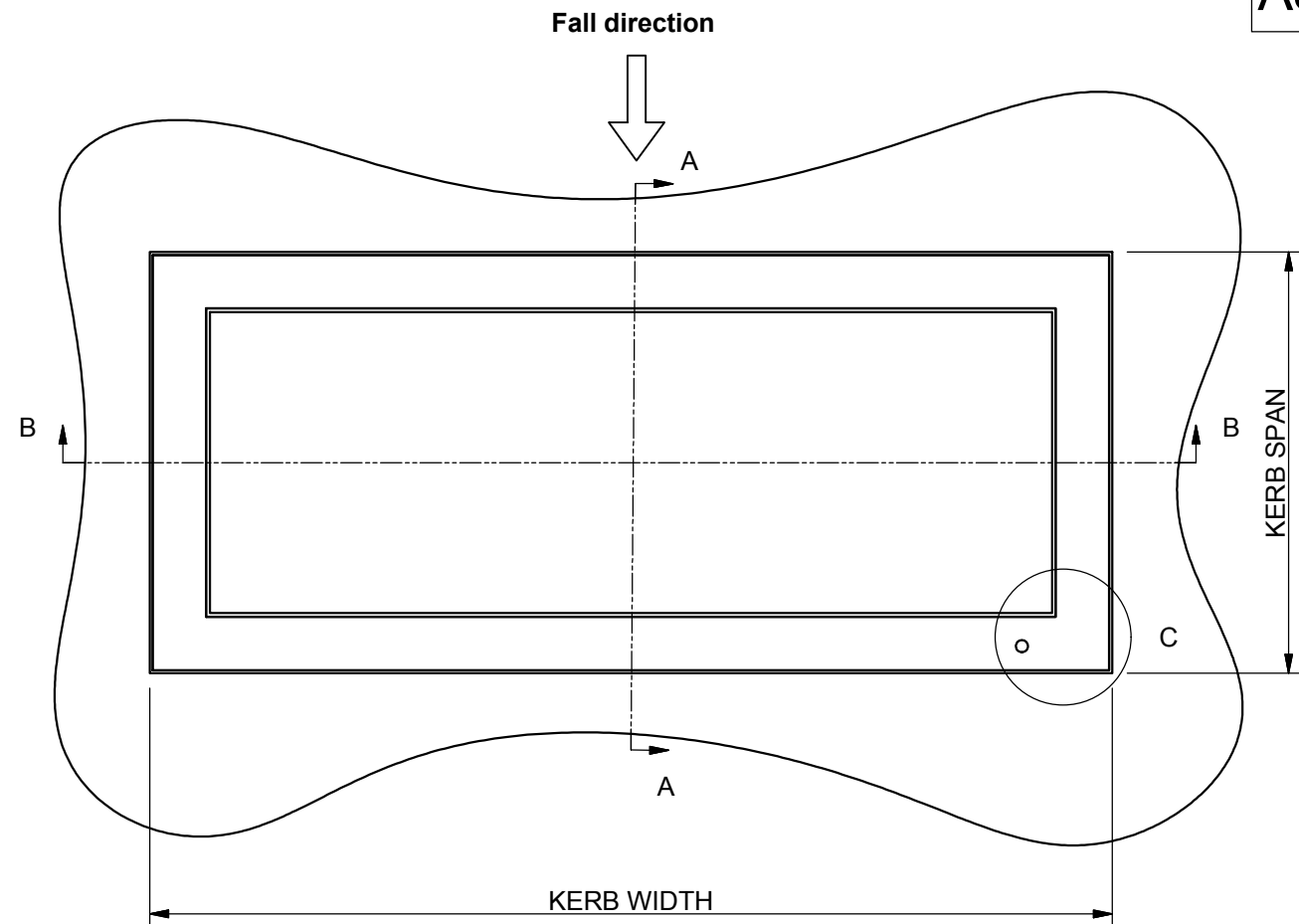
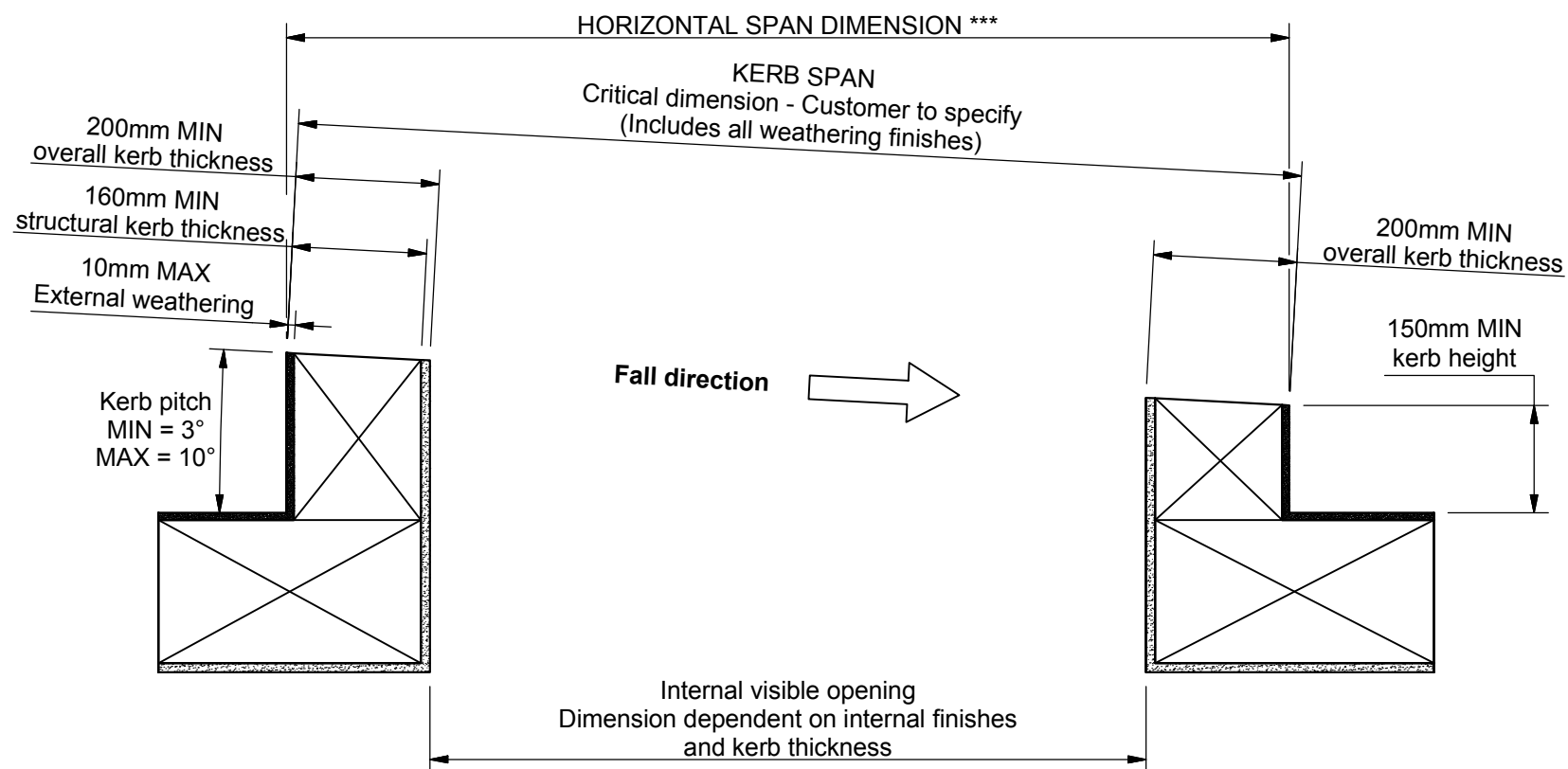


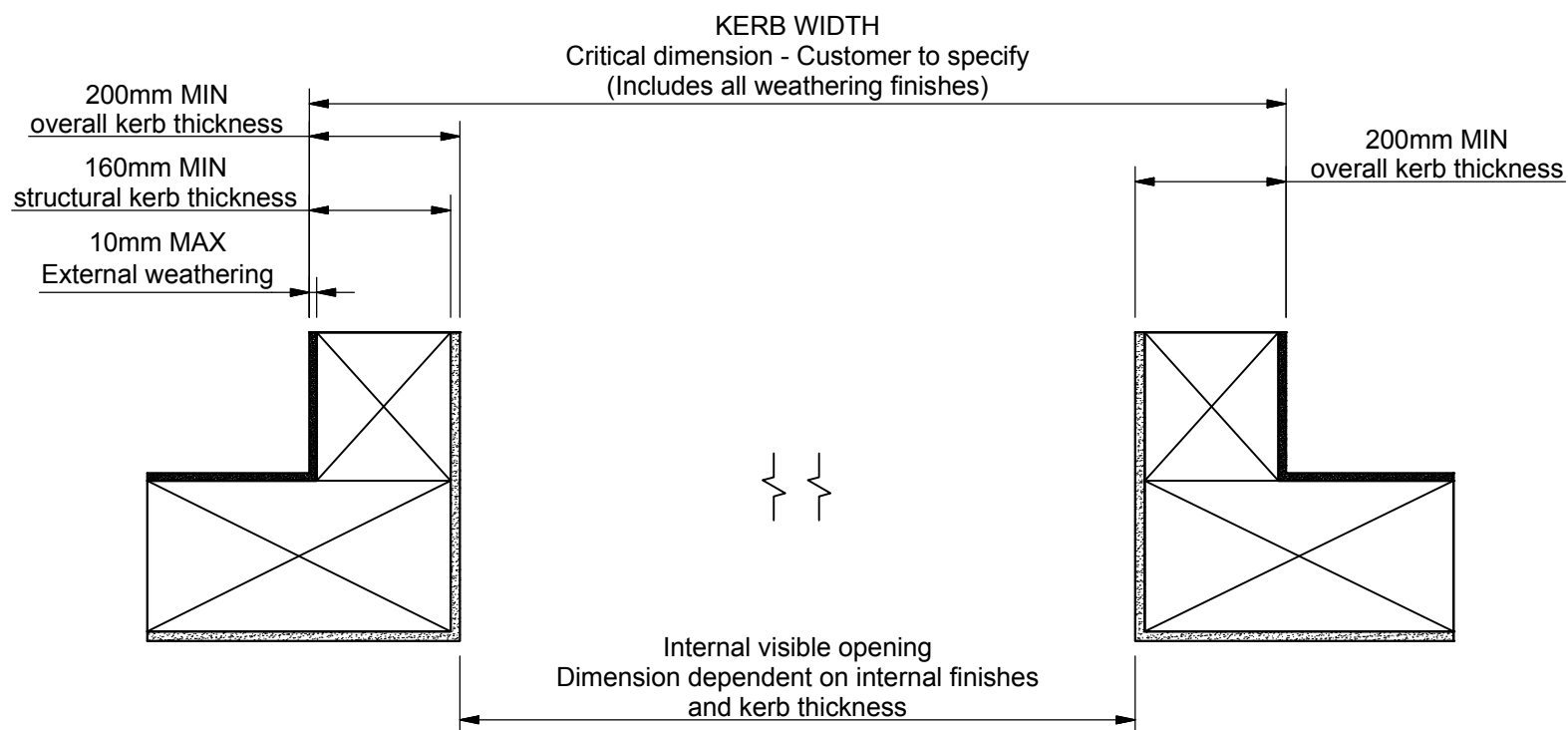
**Section A-A ( Scale 1:10 )**

View along fall

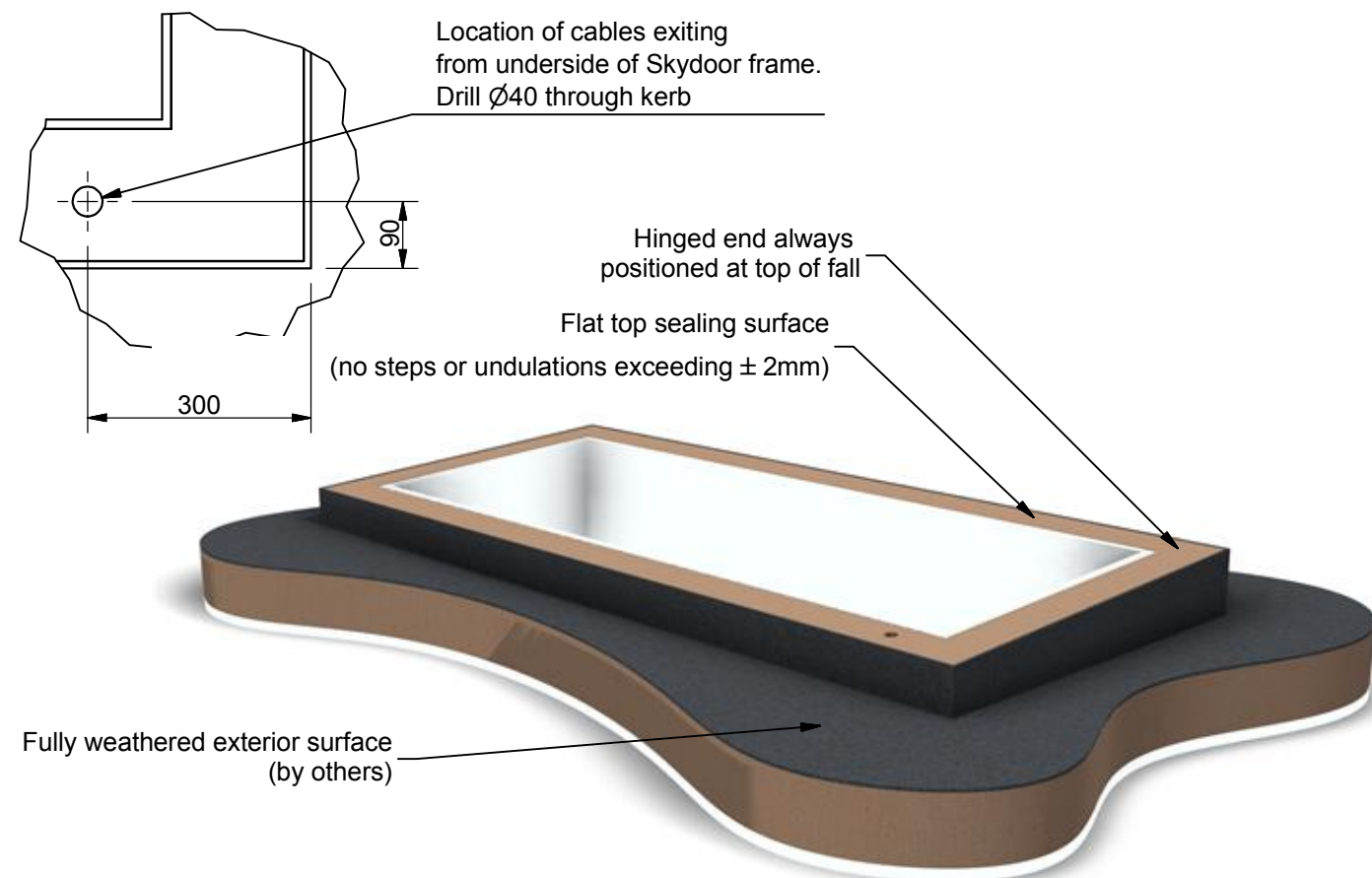


**Section B-B ( Scale 1:10 )**

View across fall



**Detail C ( Scale 1:10 )**



\*\*\* Dimension calculated as:  
SPAN x COSINE(PITCH°)  
e.g. 2000cos(3) = 1997



Saw Mills Road  
Diss  
Norfolk  
IP22 4RG

Tel: +44 (0)333 8000 881  
Fax: +44 (0)333 8000 882  
Email: sales@glazingvision.co.uk  
Website: www.glazingvision.co.uk

IT IS GLAZING VISION'S POLICY TO CONTINUOUSLY DEVELOP AND IMPROVE OUR PRODUCTS. WE THEREFORE RESERVE THE RIGHT TO MODIFY OR CHANGE THE DETAIL DESIGN AT OUR DISCRETION AND WITHOUT PRIOR NOTICE. THIS DRAWING IS COPYRIGHT AND THE SOLE PROPERTY OF GLAZING VISION LTD. THE DESIGNS/INFORMATION IT CONTAINS ARE PRIVATE AND CONFIDENTIAL. IT MUST NOT BE COPIED, EXHIBITED OR COMMUNICATED TO THIRD PARTIES FOR ANY PURPOSE OTHER THAN THAT FOR WHICH IT WAS ISSUED WITHOUT THE WRITTEN PERMISSION OF GLAZING VISION LTD.

Third angle projection unless otherwise noted.  
Tolerances:  
Whole numbers =  $\pm 1$ mm  
One decimal place =  $\pm 0.5$ mm  
Two decimal places =  $\pm 0.2$ mm  
All angles  $90 \pm 0.5$  degrees unless specified  
**IF IN DOUBT - ASK! DO NOT SCALE**  
**Supplier to deburr & remove sharp corners**

Rev	Revision Description	Drawn/Date
-	Initial release	JWL 12.02.14

Product: 406 GV Standard Skydoor		Checked By: PGW
Description: Kerb Detail		
Materials: N/A	Drawn By: JWL	Check Date: 12.02.14
Finish: N/A	Drawn Date: 12.02.14	
Weight: N/A	Quantity: N/A	Drawing No: 406-ASS-405
Scale: 1:25		