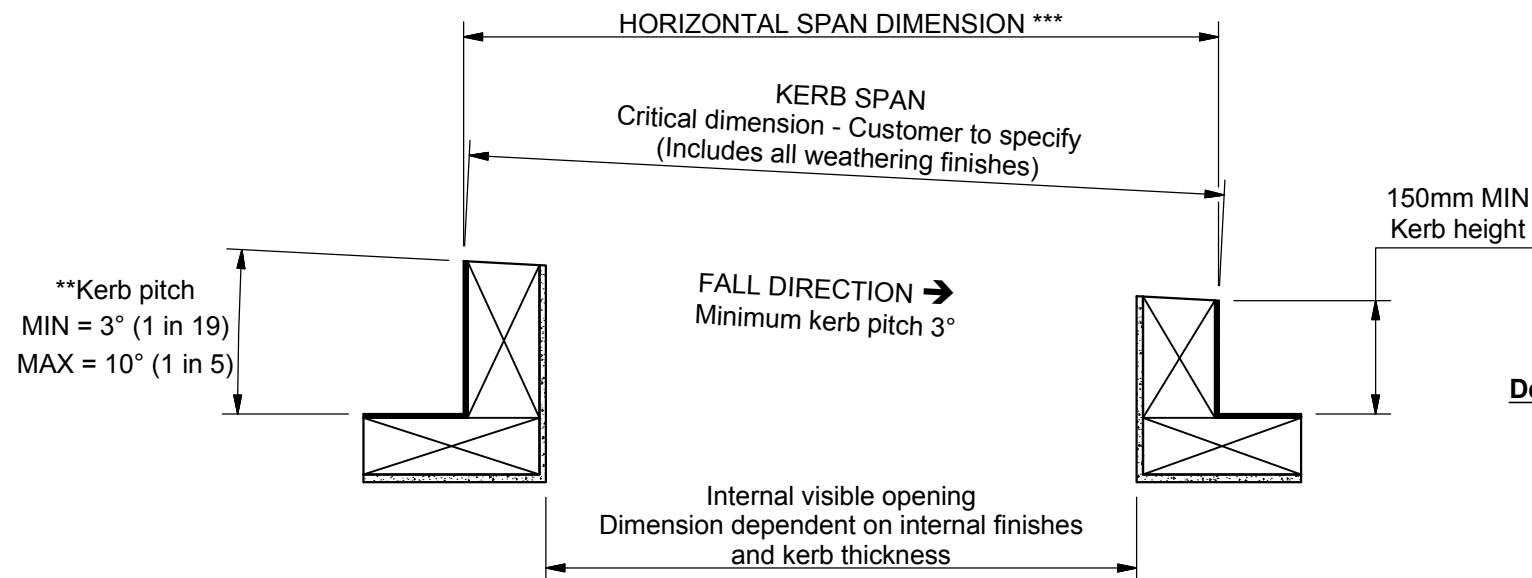


**For pitches exceeding 5 degrees the kerb top should be constructed perpendicular to the upstand - ref S0009

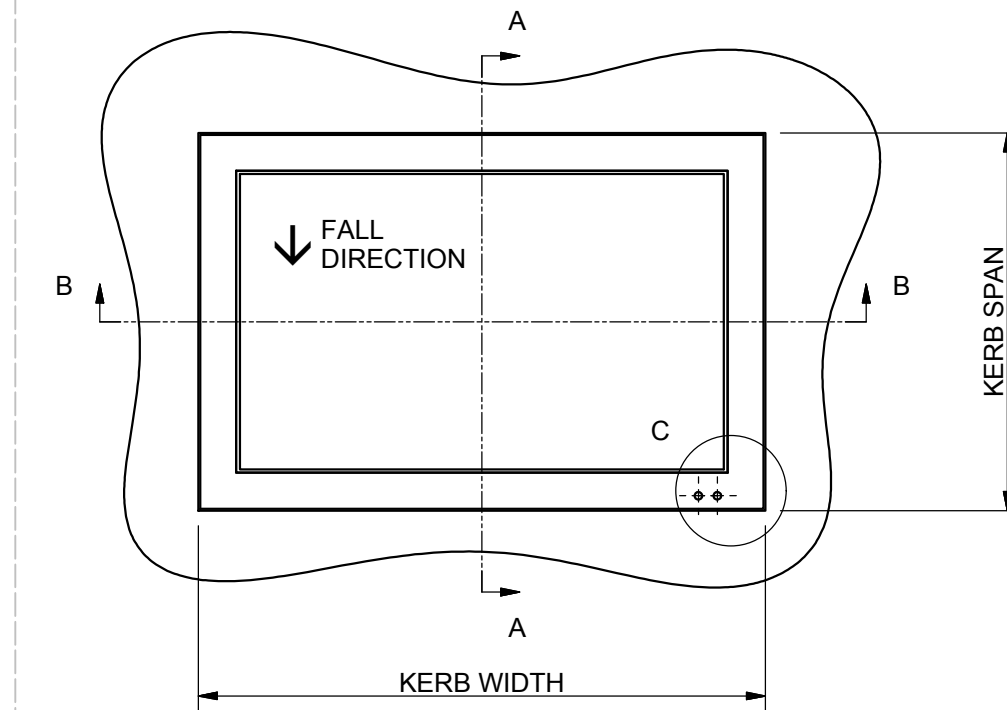
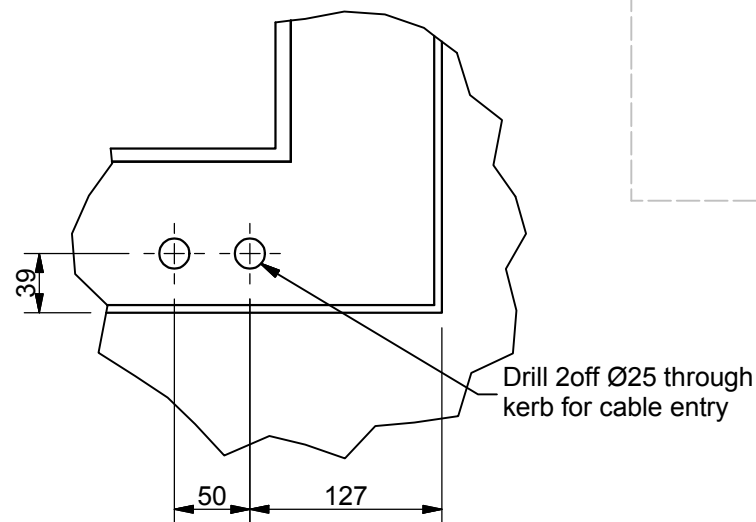
Section A-A (Scale 1 : 10)

View along fall



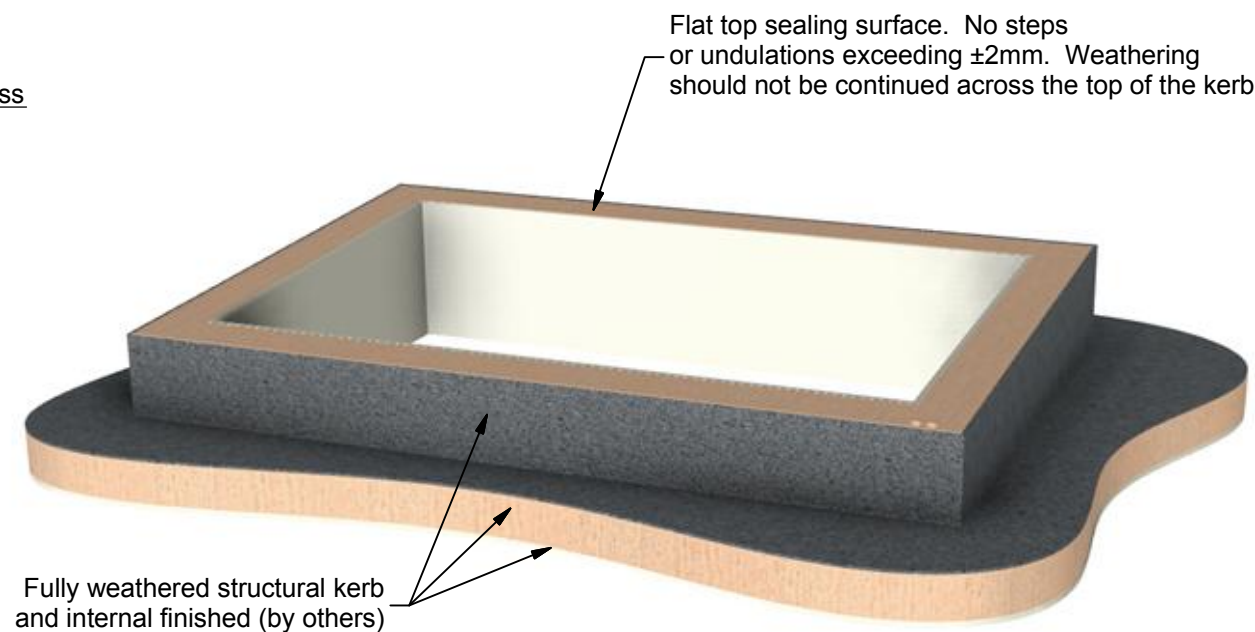
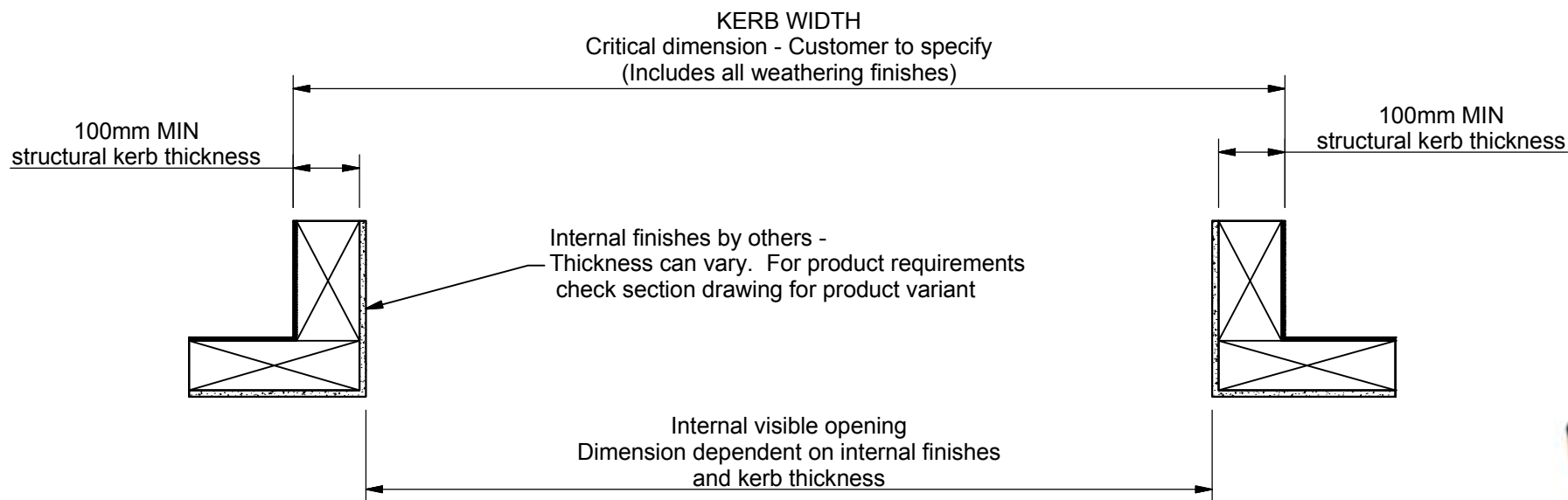
Detail C (Scale 1 : 5)

Cable positions



Section B-B (Scale 1 : 10)

View across fall



*** Dimension calculated as:
SPAN x COSINE(PITCH°)
e.g. 2000cos(3) = 1997

Rev	Revision Description	Drawn/Date
B	Kerb pitch note changed from 10 deg to 5 deg.	SW 08.02.17
A	Amended cable hole positions	JamesB 15.05.14

Product: 401 - GV Standard VisionVent		Checked By: HL
Description: Kerb detail		
Materials: N/A	Drawn By: JamesB	Check Date: 08.02.17
Finish: N/A	Drawn Date: 09.12.13	
Weight: N/A	Quantity: N/A	Drawing No: 401-ASS-401
Scale: As above		